

E ( 1 : 25 )

72 Cell Modules ( 1 : 20 )  
 max. module size l x w 2200x1050mm

module width+23mm

A ( 1 : 50 )

11884

max. 11780 \*

(1264)

1316 ± 10

3084 ± 10

(3960)

3084 ± 10

(3960)

3084 ± 10

(3960)

1316 ± 10

(3960)

max. 44.10 \*

3460

1110

782

1100

75

775 \*

20° F. 1°

B

A

2247 \*

400

1652

1672

1115 \*

758

1787

289,0

1269 \*

758

B-B ( 1 : 20 )

(150)

(180)

(1607)

(180)(199)

3700,0

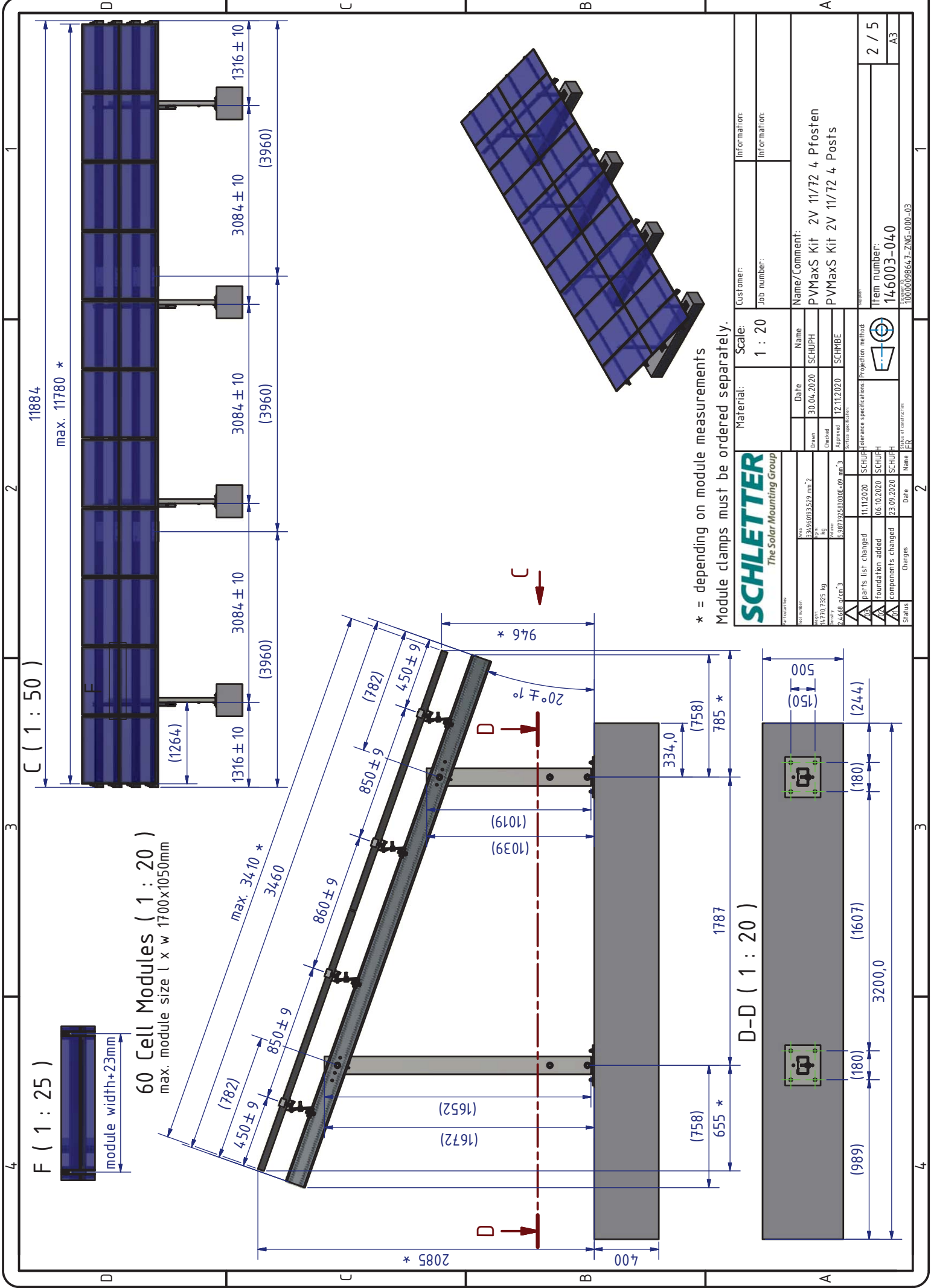
500

**SCHLETTNER**  
 The Solar Mounting Group

Part number	33496093529 mm <sup>2</sup>
Weight	1470,1325 kg
Volume	22460,47cm <sup>3</sup>
Surface area	5981,29580305E-09 mm <sup>2</sup>
Drawn	30.04.2020 SCHUPH
Checked	
Approved	12.11.2020 SCHMBE
Customer	
Job number	
Name/Comment	PVMaXS Kit 2V 11/72 4 Pfosten PVMaXS Kit 2V 11/72 4 Posts
Item number	146003-040
Scale	1 : 20
Material	
Date	
Name	
Status	
Changes	
Date	
Name	
Reference specifications	
Projection method	
1 / 5	
A3	

LAST REVISION	
REV.	DESCRIPTION
03	parts list changed

\* = depending on module measurements  
 Module clamps must be ordered separately.

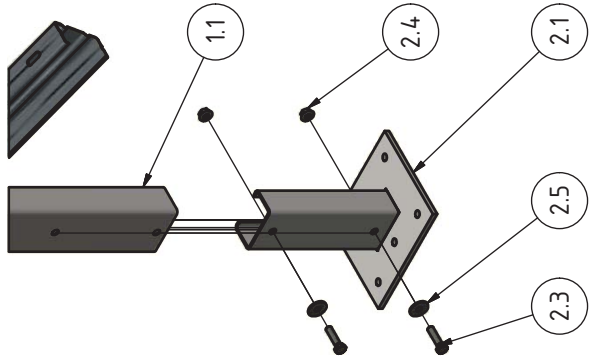


\* = depending on module measurements  
 Module clamps must be ordered separately.

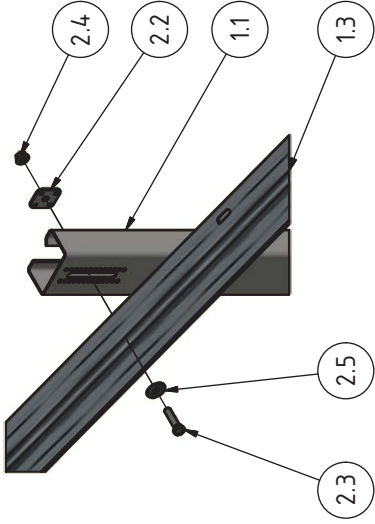


Part number: 338,96093,529 mm <sup>2</sup> Weight: 10,770,7325 kg Density: 2,400 g/cm <sup>3</sup> Volume: 4,468 g/cm <sup>3</sup>		Date: 30.04.2020 Name: SCHUPH Checked: [ ] Approved: 12.11.2020 Name: SCHMBE	Scale: 1 : 20 Information:
Part name: parts list changed Date: 11.11.2020 Name: SCHUPH Checked: [ ] Approved: 06.10.2020 Name: SCHUPH		Date: 12.11.2020 Name: SCHMBE	Information:
Part name: foundation added Date: 23.09.2020 Name: SCHUPH Checked: [ ] Approved: 23.09.2020 Name: SCHUPH		Date: 12.11.2020 Name: SCHMBE	Information:
Part name: components changed Date: 23.09.2020 Name: SCHUPH Checked: [ ] Approved: 23.09.2020 Name: SCHUPH		Date: 12.11.2020 Name: SCHMBE	Information:
Part name: changes Date: 23.09.2020 Name: SCHUPH Checked: [ ] Approved: 23.09.2020 Name: SCHUPH		Date: 12.11.2020 Name: SCHMBE	Information:
Part name: status Date: 23.09.2020 Name: SCHUPH Checked: [ ] Approved: 23.09.2020 Name: SCHUPH		Date: 12.11.2020 Name: SCHMBE	Information:
Part name: customer Date: 23.09.2020 Name: SCHUPH Checked: [ ] Approved: 23.09.2020 Name: SCHUPH		Date: 12.11.2020 Name: SCHMBE	Information:
Part name: job number Date: 23.09.2020 Name: SCHUPH Checked: [ ] Approved: 23.09.2020 Name: SCHUPH		Date: 12.11.2020 Name: SCHMBE	Information:
Part name: name/comment Date: 23.09.2020 Name: SCHUPH Checked: [ ] Approved: 23.09.2020 Name: SCHUPH		Date: 12.11.2020 Name: SCHMBE	Information:
Part name: item number Date: 23.09.2020 Name: SCHUPH Checked: [ ] Approved: 23.09.2020 Name: SCHUPH		Date: 12.11.2020 Name: SCHMBE	Information:
Part name: 146003-040 Date: 23.09.2020 Name: SCHUPH Checked: [ ] Approved: 23.09.2020 Name: SCHUPH		Date: 12.11.2020 Name: SCHMBE	Information:
Part name: 2 / 5 Date: 23.09.2020 Name: SCHUPH Checked: [ ] Approved: 23.09.2020 Name: SCHUPH		Date: 12.11.2020 Name: SCHMBE	Information:
Part name: A3 Date: 23.09.2020 Name: SCHUPH Checked: [ ] Approved: 23.09.2020 Name: SCHUPH		Date: 12.11.2020 Name: SCHMBE	Information:

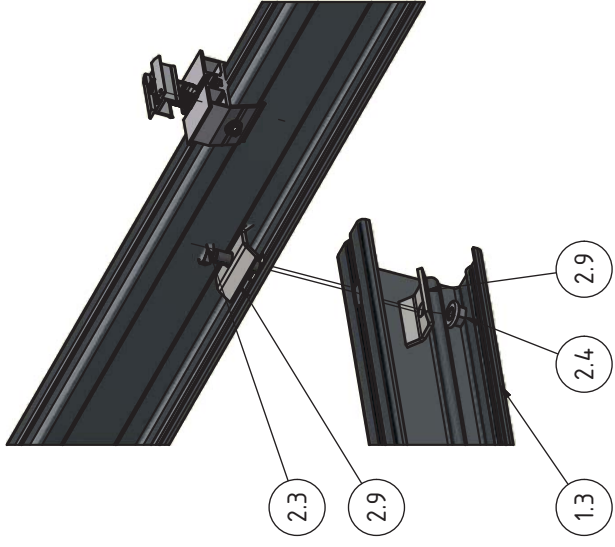
Foundation ( 1 : 10 )



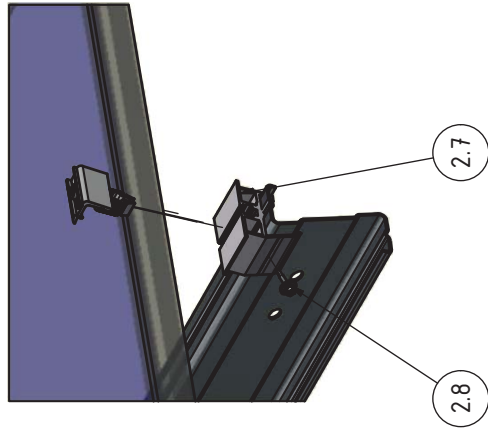
Foundation-Girder ( 1 : 10 )



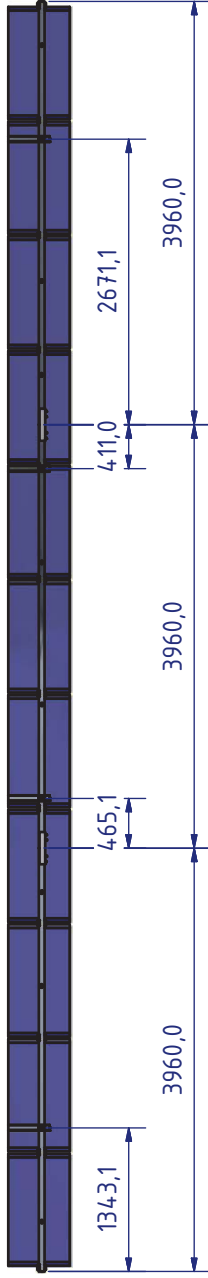
Girder-Purlin ( 1 : 5 )



Module Clamp ( 1 : 5 )

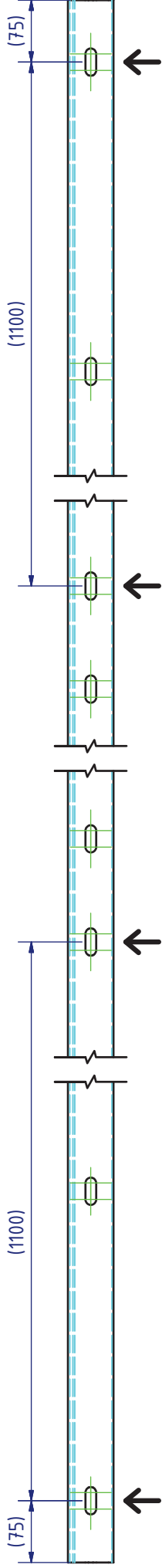


Girder-Purlin Holes ( 1 : 50 )

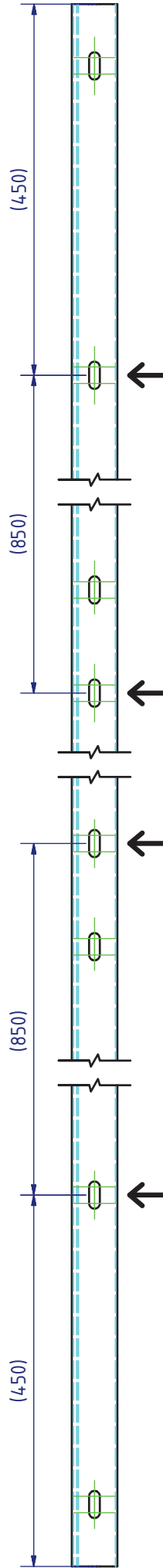


<b>SCHLETTNER</b> The Solar Mounting Group		Material:	Scale:	Customer:	Information:
Part number	33496093529 mm <sup>2</sup>	Date	Name	Job number:	Information:
Length	12761325 kg	Drawn	SCHUPH	Name/Comment:	
Weight	24460 t/cm <sup>3</sup>	Checked	SCHMBE	PVMaXS Kit 2V 11/72 4 Pfosten	
Volume	598129583030E-09 mm <sup>3</sup>	Approved	SCHMBE	PVMaXS Kit 2V 11/72 4 Posts	
Surface area					
Parts list changed	11.11.2020	Reference specifications	Projection method	Item number:	3 / 5
Foundation added	06.10.2020	SCHUPH		146003-040	A3
Component's changed	23.09.2020	SCHUPH			
Status	Changes	Date	Name	Project number:	
			HR	1000098647-ZNG-000-03	

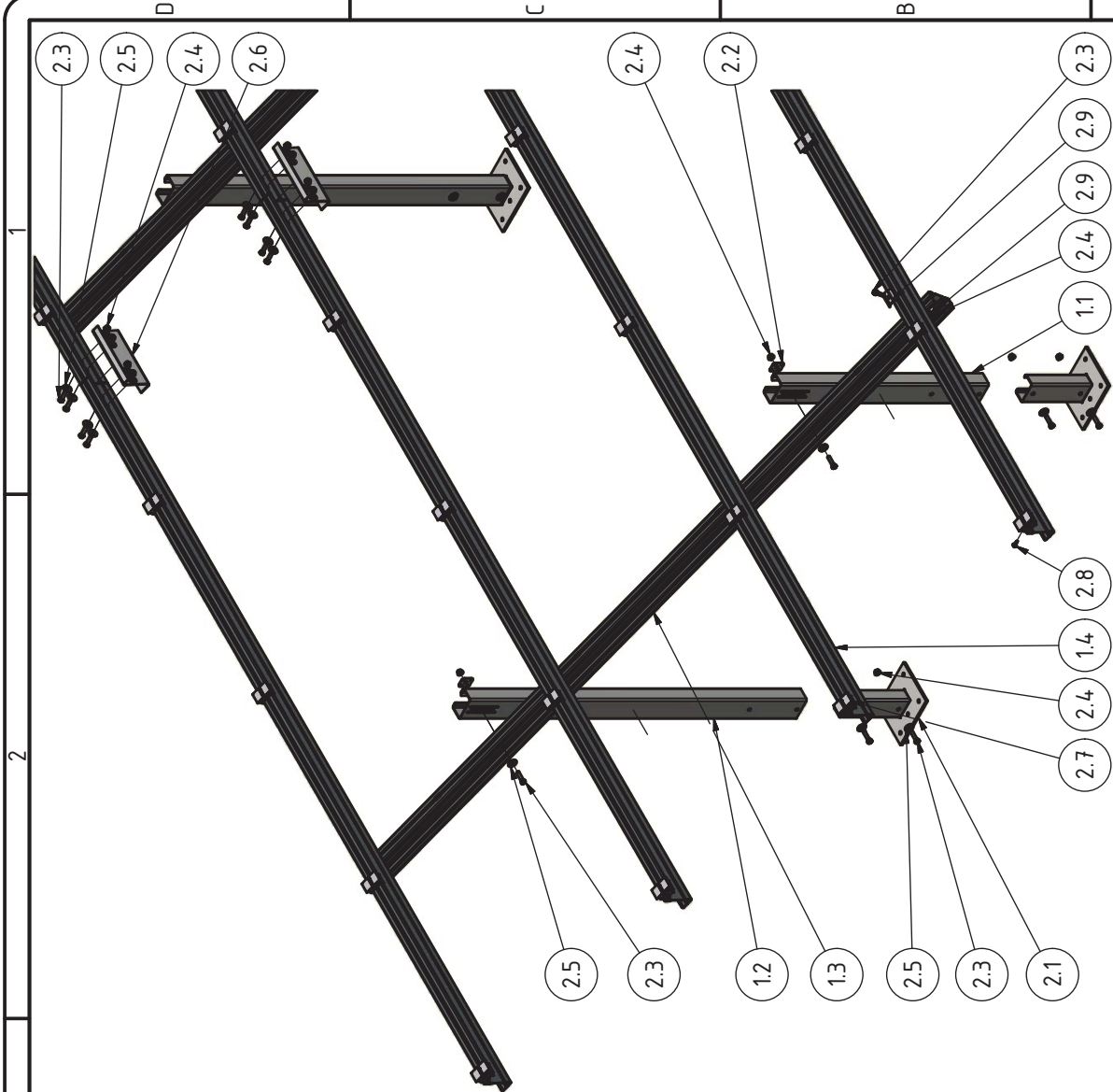
### Girder holes for 72 Cell Modules:



### Girder holes for 60 Cell Modules:



Material: HX500-LAD-ZMG-30		Scale: 1 : 5		Customer: Information:	
Part number: 1754544-053 mm <sup>2</sup>		Date: 30.04.2020		Job number: Information:	
Weight: 3.6409 kg		Name: SCHUPH		Name/Comment: PVMaXS Kit 2V 11/72 4 Pfosten	
Density: 2.930 g/cm <sup>3</sup>		Checked: [ ]		PVMaXS Kit 2V 11/72 4 Posts	
Volume: 1.237688409 mm <sup>3</sup>		Approved: 12.11.2020		Item number: 146003-040	
Surface area: [ ]		Projection method: [ ]		4 / 5	
Status: [ ]		Reference specifications: [ ]		A3	
Changes: [ ]		Date: 23.09.2020		10000098647-ZMG-000-03	
Name: HR		Name: HR		1	



Parts list 60/72 Cell Modules

POS	QTY	ITEM NUMBER	NAME	STANDARD	LENGTH	MASS
1	1	146003-038	PVMaxS Kit 2V 11/72 4 Profiles			
1.1	4	143006-236	Steel foundation post SRF6 1019mm		1019mm	7,221 kg
1.2	4	143006-235	Steel foundation post SRF6 1652mm		1652mm	11,750 kg
1.3	4	144099-008	FS steel girder 3460mm		3460mm	13,641 kg
1.4	12	144901-013	FS Uno/FS Duo Purlin - S5 3960mm		3960mm	15,626 kg
2	1	146003-039	PVMaxS Kit 2V 11/72 4 accessory			
2.1	8	143018-001	SRF6 connection PvMax steel galvanized			6,419 kg
2.2	10	000016-673	FS steel locking plate			0,055 kg
2.3	100	943000-599	Screw M12x50 hexagon DIN933 A2	DIN 933		0,062 kg
2.4	100	943912-012	M12 Flange Nut serrated DIN6923 A4	DIN 6923		0,026 kg
2.5	100	943922-012	M12 Large Washer DIN9021 A2	DIN 9021		0,022 kg
2.6	8	144999-015	FS Uno/FS Duo Z-purlin connector galv.			1,916 kg
2.7	50	000014-680	FS Uno/FS Duo Mod Clamp Adapter Univ			0,112 kg
2.8	100	943755-925	Self-tapping screw 5.5x25A2 w.seal.wash	Schletter		0,009 kg
2.9	32	144999-088	FS UNO/DUO connector purlin-girder galv			0,096 kg



Customer:		Scale:		Material:		Information:	
Job number:		1 : 20				Information:	
Name/Comment:		Date		Name		PVMaXS Kit 2V 11/72 4 Pfosten	
PVMaXS Kit 2V 11/72 4 Posts		30.04.2020		SCHUPH			
Item number:		Drawn		Checked		Approved	
146003-040		12.11.2020		SCHMBE		12.11.2020	
1000098647-ZNG-000-03		Project specifications		Projection method		5 / 5	
		SCHUPH		SCHUPH		A3	
Status		Date		Name		IR	
Changes		23.09.2020		SCHUPH			
parts list changed		11.11.2020		SCHUPH		reference specifications	
foundation added		06.10.2020		SCHUPH			
components changed		23.09.2020		SCHUPH			

