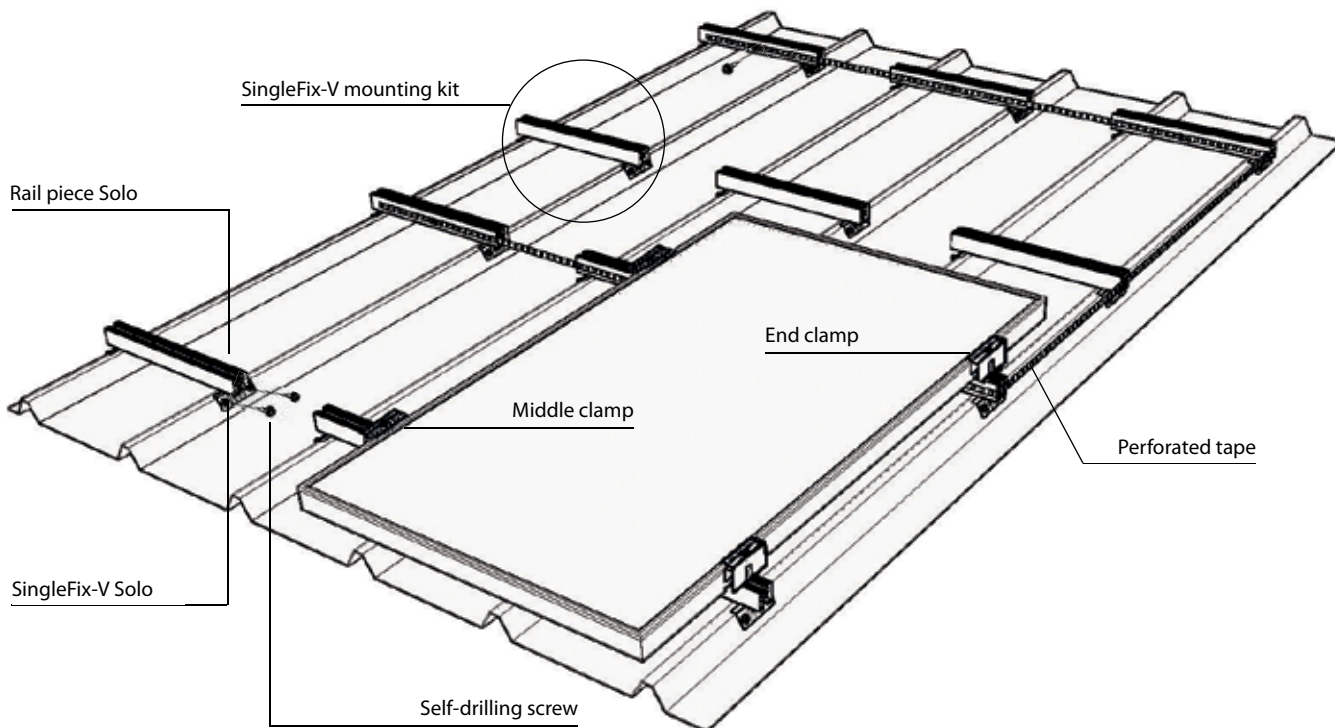


SingleFix-V Mounting kit

Mounting Instructions



Required tools

Power screwdriver with bit and socket holder
 Bit TX-drive T40
 Socket wrench size 8*



The Schletter tool kit contains the tools required for all standard systems.

Other necessary documents

System structural analysis

Calculation documentation with schematic diagram, piece list and plant-specific structural analysis

Tightening torques

M8 bolted connections: 15 Nm

Exception:

Self-drilling screws: Must be tightened firmly, but must not be overtightened

Safety information



Planning, mounting and putting into operation of the solar plant must be performed by qualified personnel only. Poor quality execution can result in damage to the plant and to the building and can present a risk to people.



Risk of falling! There is a risk of falling when working on the roof as well as when ascending and descending the building. Accident prevention regulations must be observed and appropriate safety equipment must be used.



Risk of injury! Objects falling from the roof can cause injury to people. The danger area around the installation site must be sealed off and people close to this area must be warned.



Risk of breakage! PV modules can be damaged if stepped upon or if handled without care.

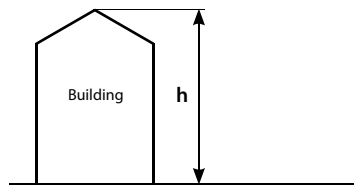
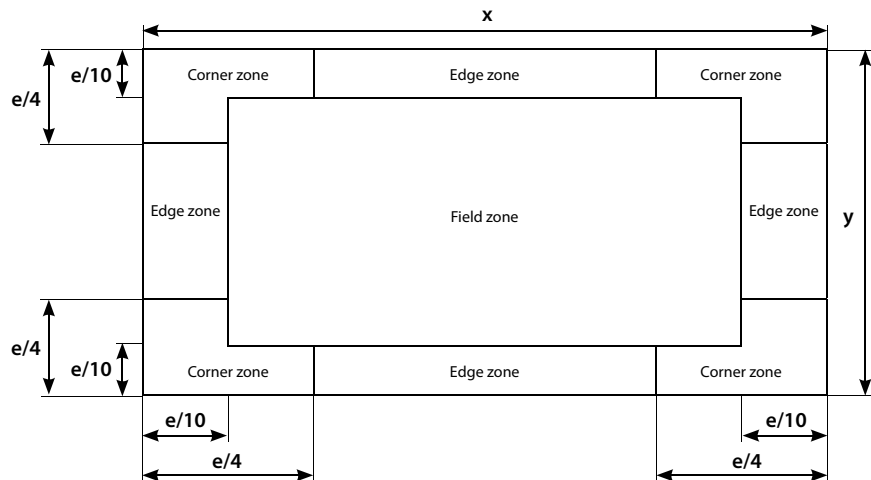


Risk of electric shock! The mounting and maintenance of the PV modules must be carried out by qualified specialists only. Observe the safety regulations issued by the PV module manufacturer!

*German size

1 Define the area of installation

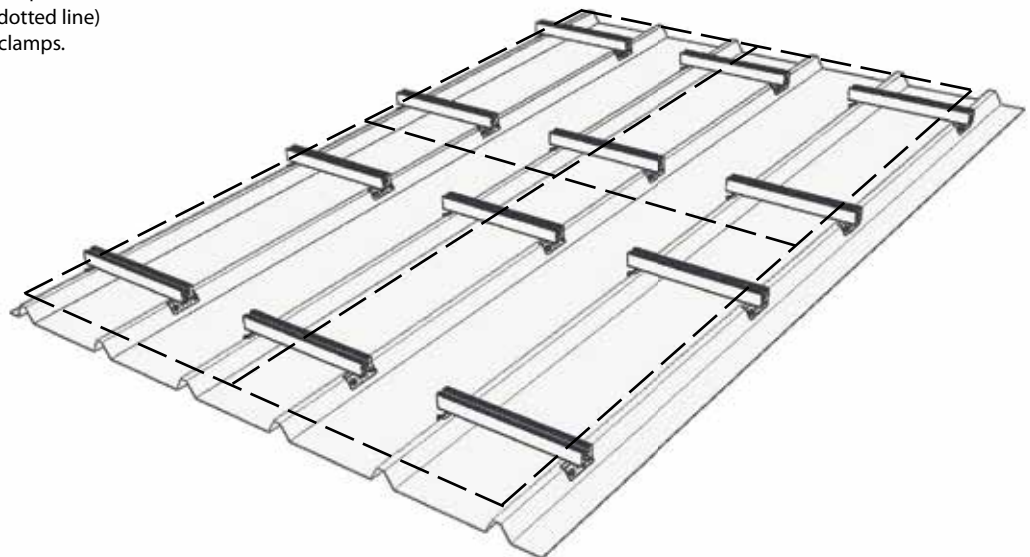
- Increase the number of fasteners in the edge and corner zones.
- Further information is given in the structural analysis.



Calculation formula:
 $e = \min(x \text{ resp. } y \text{ or } 2 \cdot h)$

2 Define the fastening points

- The fastening points are to be defined so as to facilitate the fastening of modules in their required positions (indicated here with a dotted line) using end and middle clamps.



3 Mount the assembly kits

- Twist each of the two SingleFix-V elements into the lower channel of the rail piece.
- Align them onto two legs of the trapezium.
- Put each SingleFix-V element lengthways and flush onto the leg of the trapezium and fasten it with two self-drilling screws¹.
- Screws must be drilled slightly inclined downwards* and outwards**!

¹ Only use screws

with general technical approval:

- Ejoyt JT3-2-6xL
- Ejoyt JF3-2-5.5xL
- Ejoyt JT3-2H Plus-5.5xL
- Reisser RP-T2-6.0xL

Length: 25 mm



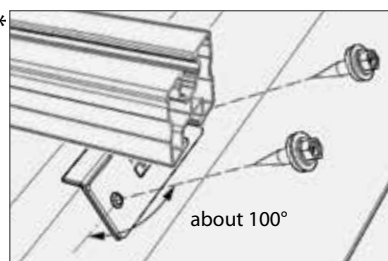
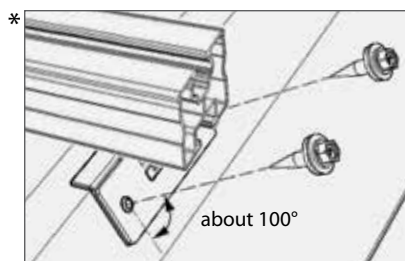
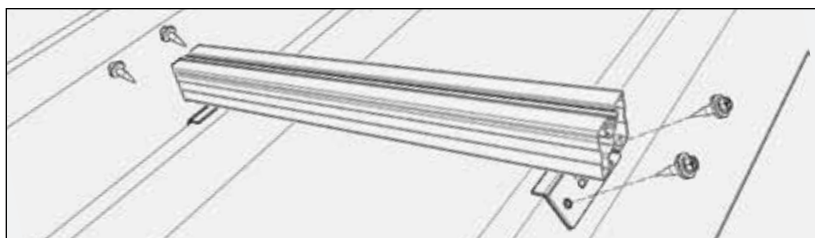
Do not overtighten the screws!
Tighten each screw until the screw seal is slightly compressed.



Do not fasten SingleFix at joints of trapezoidal metal sheets.

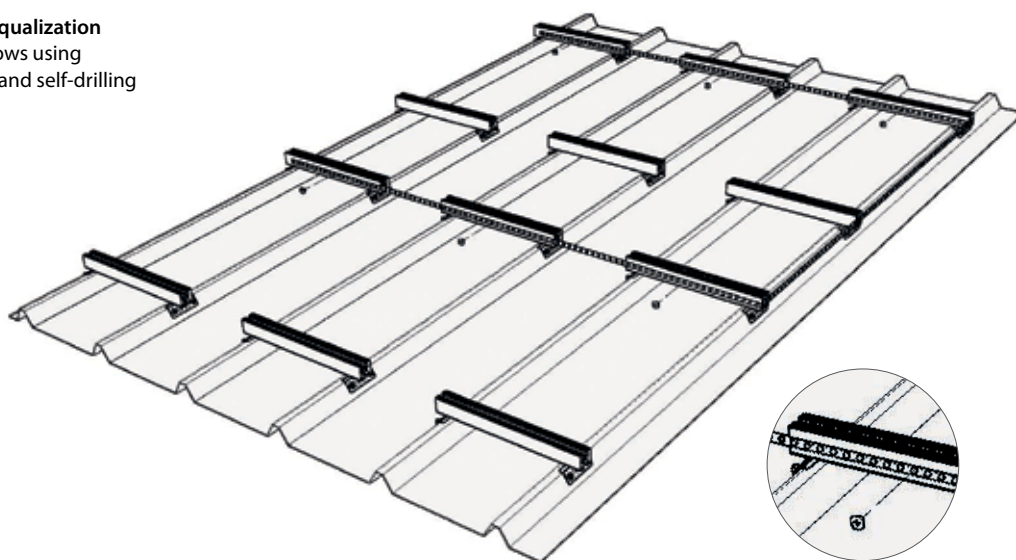


Please ensure that SingleFix is mounted evenly and flush.



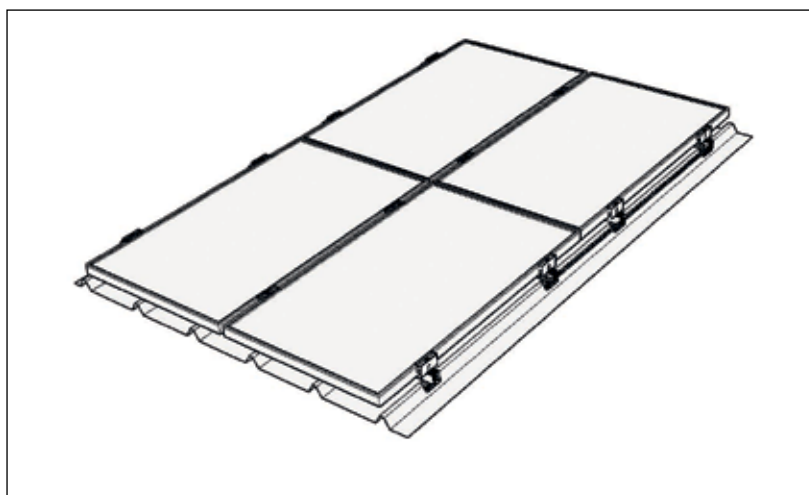
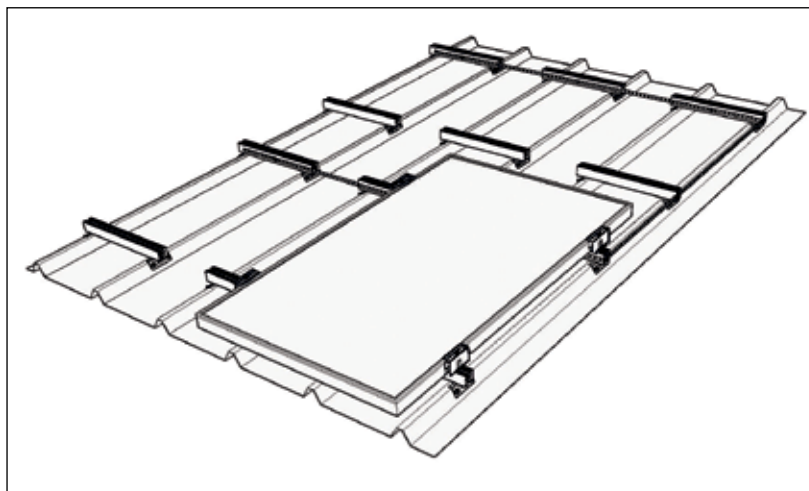
4 Create the potential equalization

- Connect the module rows using perforated metal tape and self-drilling screws.



5 Module mounting

- Position the first module at the ends of the rails.
- Fasten the module with two end clamps - in our example: Snap in the Rapid end clamps and tighten the screws (TX-drive T40)
- Connect the module cables as required.
- Position further modules and fasten them between the modules with two middle clamps each.
- Fasten the last module of the row with two end clamps.



For further information relating to our systems, please visit our website: www.schletter-group.com and go to the download area.