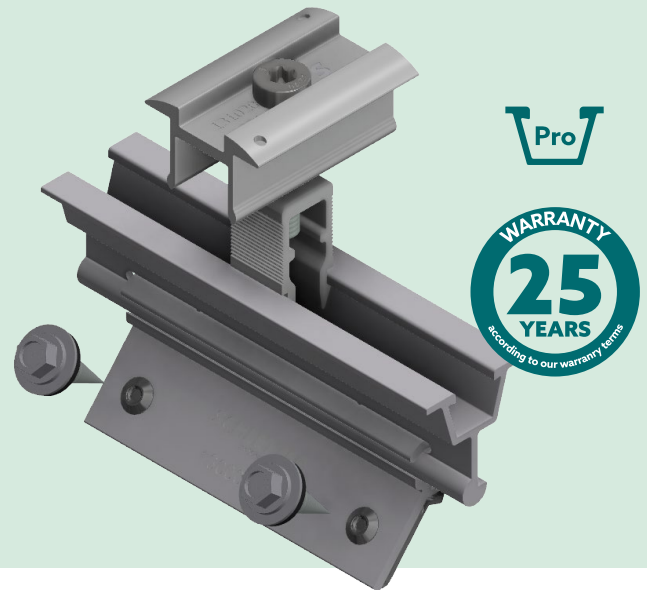


CLAMPFIT PRO

PRODUCT SHEET

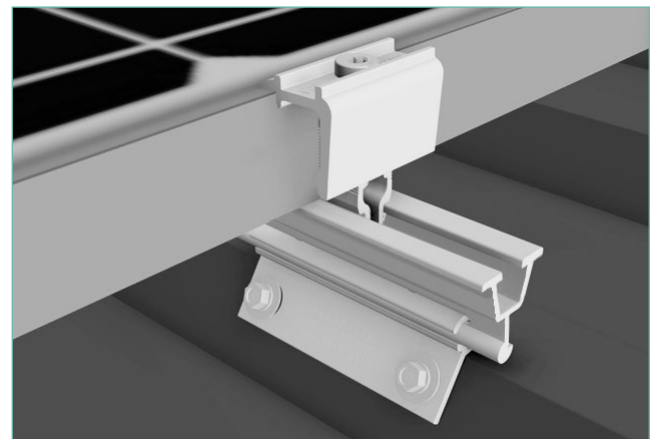
The cost-optimized direct trapezoidal sheet fastening system

For steel and aluminium sheets from 0.5 mm

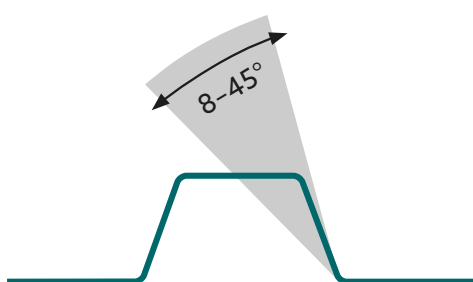


OPTIMAL INTRODUCTION OF FORCE INTO THE SHEET METAL

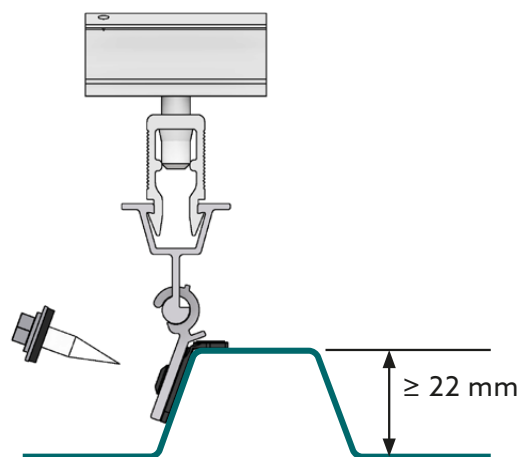
Although this fastening system undercuts previously achievable €/kWp system prices once more, the ClampFit Pro system also corresponds to the strict Schletter quality guidelines: An optimal introduction of force is achieved thanks to the side edge fastening. In this way, even very thin trapezoidal sheets are not overloaded in places. Even the loosening of screws by thermal expansion and load alternation is reliably eliminated in this fastening geometry.



POSSIBLE DIMENSIONS



Inclination of the side edges from 8 to 45°



Trapezoidal sheets with minimum height of the side edges: 22 mm

CLAMPFIT PRO

TECHNICAL SPECIFICATIONS

| | |
|--------------------------------|---|
| Scope of application | Direct trapezoidal sheet metal fastening system for sheet metal thickness ≥ 0.5 mm |
| Material | Systems components: Aluminium Screws: Stainless steel Dichtung: EPDM |
| Planning aid | Configuration and structural analysis via Schletter Configurator |
| Structural analysis | Structural analysis based on recognized engineering standards. Verification of structural safety of the mounting system is based on Eurocodes and general construction approvals. The load assumptions comply with DIN EN 1991-1 and the regulations of the national annex. Roofing and building certificates are not included. Any instructions on required certification and approval must be observed. |
| Warranty | 25 years according to our warranty terms |
| Supplementary documents | Assembly instructions ClampFit Pro Component overview – Special fastening solutions |

ARTICLE OVERVIEW

| | | |
|-------------------|--------------|---------|
| 130004-300 | ClampFit Pro | PU: 100 |
|-------------------|--------------|---------|



ACCESSORIES (to be ordered separately)

| | | |
|-------------------|---|---------|
| 943000-700 | Thin sheet metal screw 5.5 x 25 A2 with gasket With ETA, ETN, MCS012 and German building authority approval. For use in Germany, France and the UK in conjunction with ClampFit Pro. For use on sandwich panels approved for this purpose. | PU: 100 |
| 943000-360 | Thin sheet metal screw 6.0 x 25 A2 with gasket With ETA, ETN, MCS012 and German building authority approval. For use in Germany, France and the UK in conjunction with ClampFit Pro. | PU: 100 |
| 943001-232 | Thin sheet metal screw 6.0 x 22 A2 with gasket wA For use outside Germany, France, the UK in conjunction with ClampFit Pro. | PU: 100 |

► **NOTE**
You need 2 screws per ClampFit Pro



More info