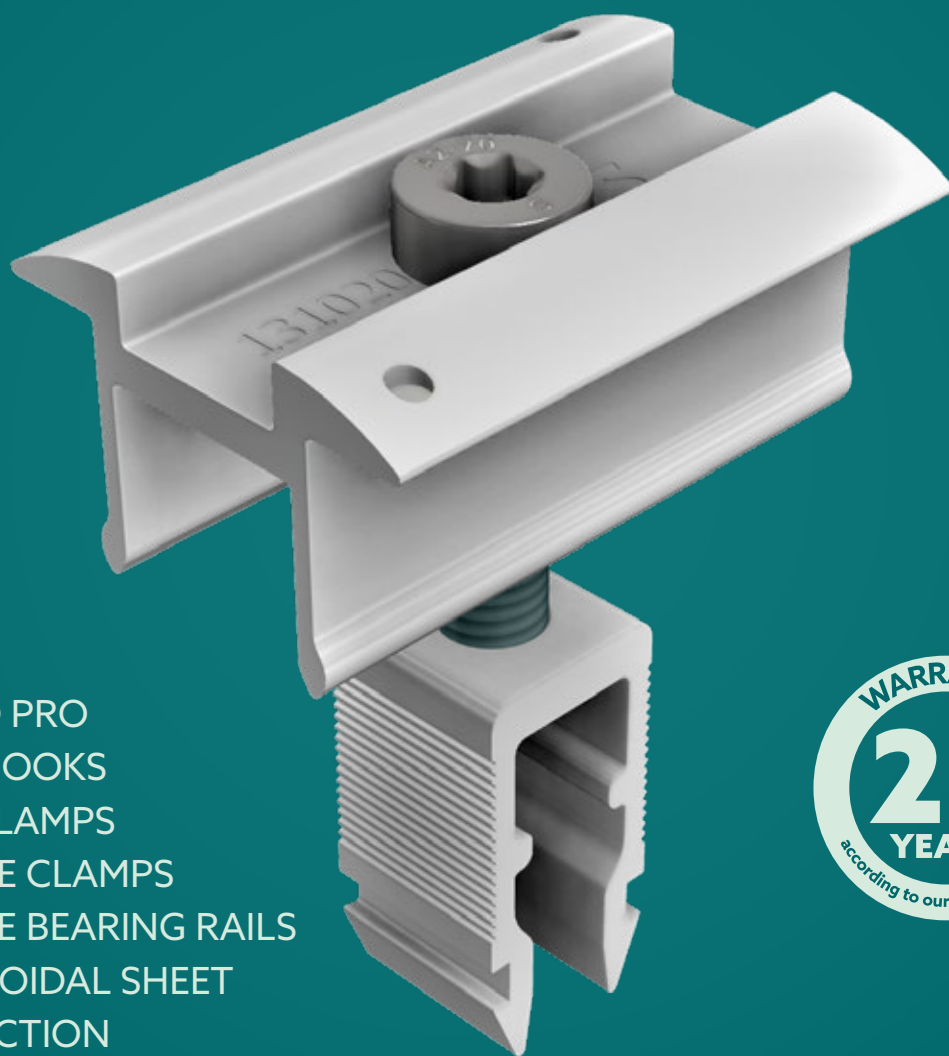


SCHLETTER

PROLINE

UNLIMITED POSSIBILITIES.



- + FIXGRID PRO
- + ROOF HOOKS
- + SEAM CLAMPS
- + MODULE CLAMPS
- + MODULE BEARING RAILS
- + TRAPEZOIDAL SHEET CONNECTION
- + ACCESSORIES



WWW.SCHLETTER-GROUP.COM

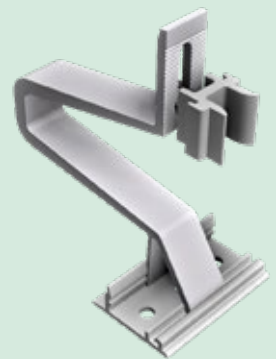
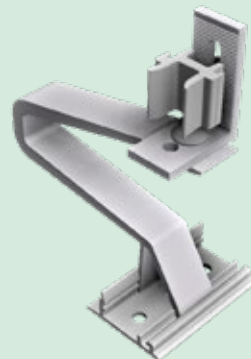
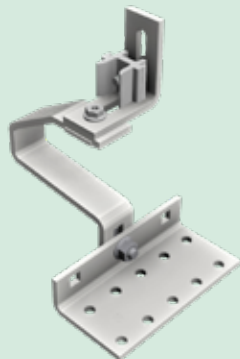
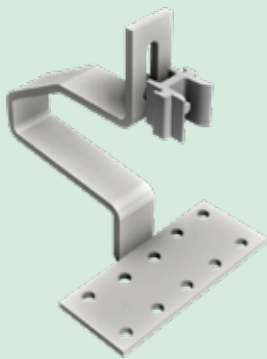
ROOF HOOKS PROLINE

- + ProLine roof hook extensions „Max“ provide improved
- + adjustability and stability
- + Higher load capacity due to new profile geometries
- + Fastening with only one wood screw - the Torx T40
- + Ribbing further secures the roof hook
- + Fast and flexible mounting by click-in
- + No pressure on the roof tile
- + Due to the new multi-adapter with Torx T40, all Schletter roof hooks can be installed with the classic Schletter profiles as well as the new ProLine profiles

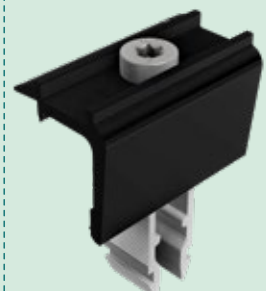
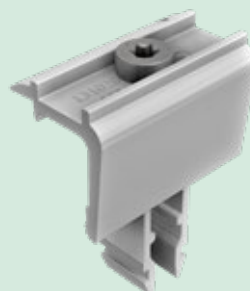
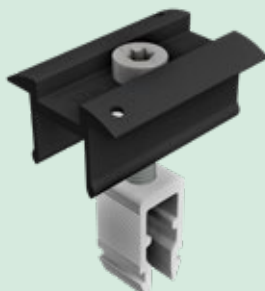
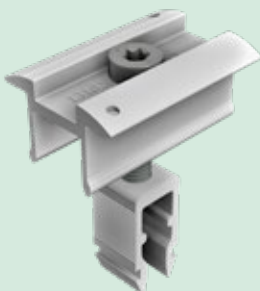
MODULE CLAMPS PROLINE

- + Middle and end clamps for mounting module frames between 30 - 47 mm
- + Mounting with Torx T40
- + Completely pre-assembled for quick installation
- + Built-in grounding function
- + Available in bright and black anodized aluminum
- + Optimized packaging units

ROOF HOOKS PROLINE

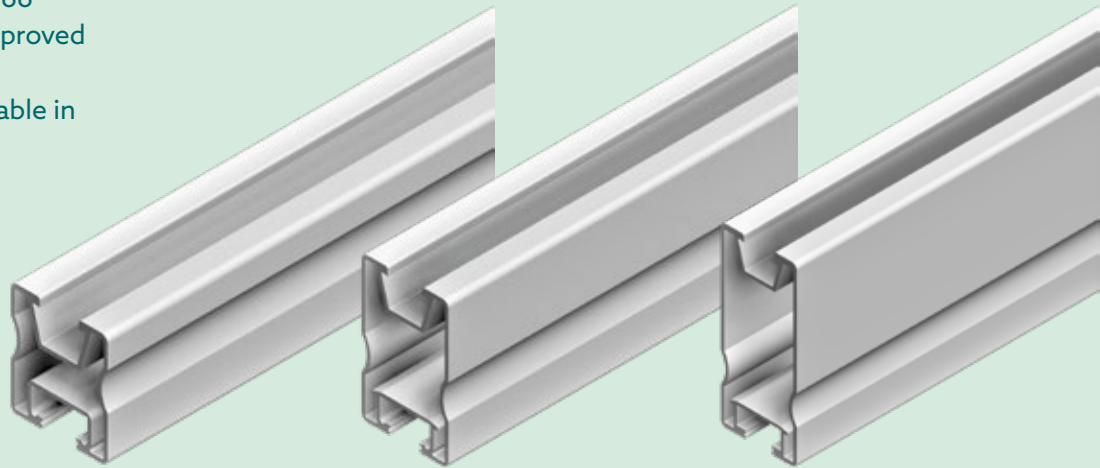


MODULE CLAMPS PROLINE



MODULE BEARING RAILS PROLINE

- + Aluminum EN AW-6063 T66
- + Reduced material with improved stability
- + Module bearing rails available in various lengths



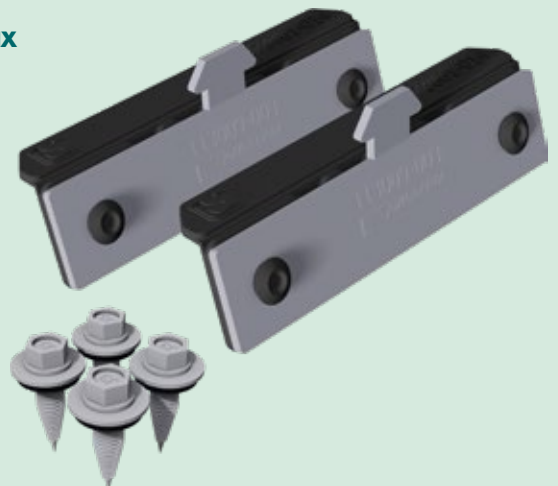
TRAPEZOIDAL SHEET CONNECTION PROLINE

- + For mounting on trapezoidal sheet metal roofs
- + ClampFit Pro: Flexible adjustment options thanks to joint axis
- + ClampFit Pro: Compatible with ProLine module clamps
- + SingleFix: Compatible with the ProLine series and classic Schletter solar mounting system

CLAMPFIT
PROLINE

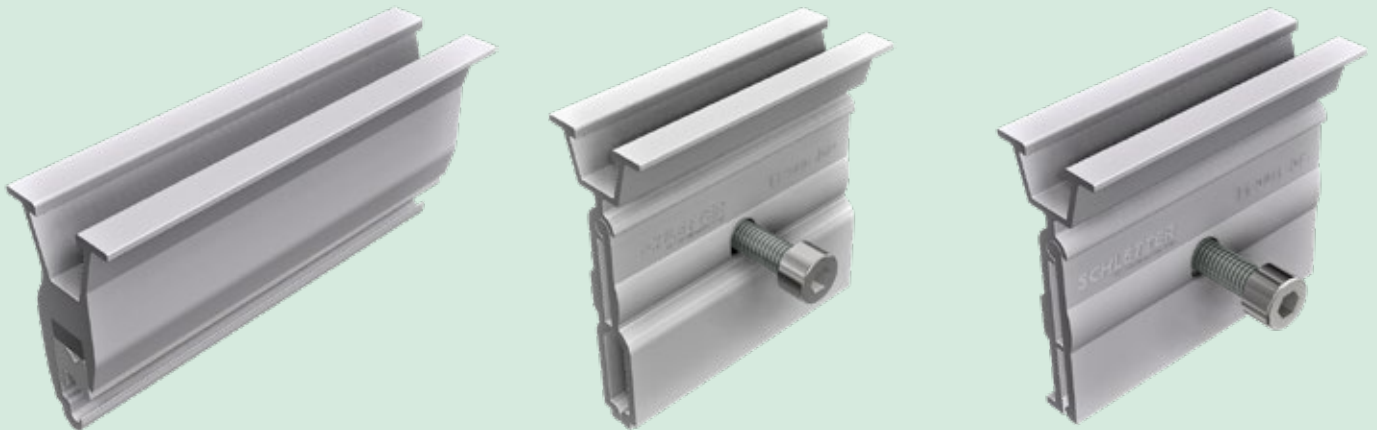


SINGLEFIX
PROLINE



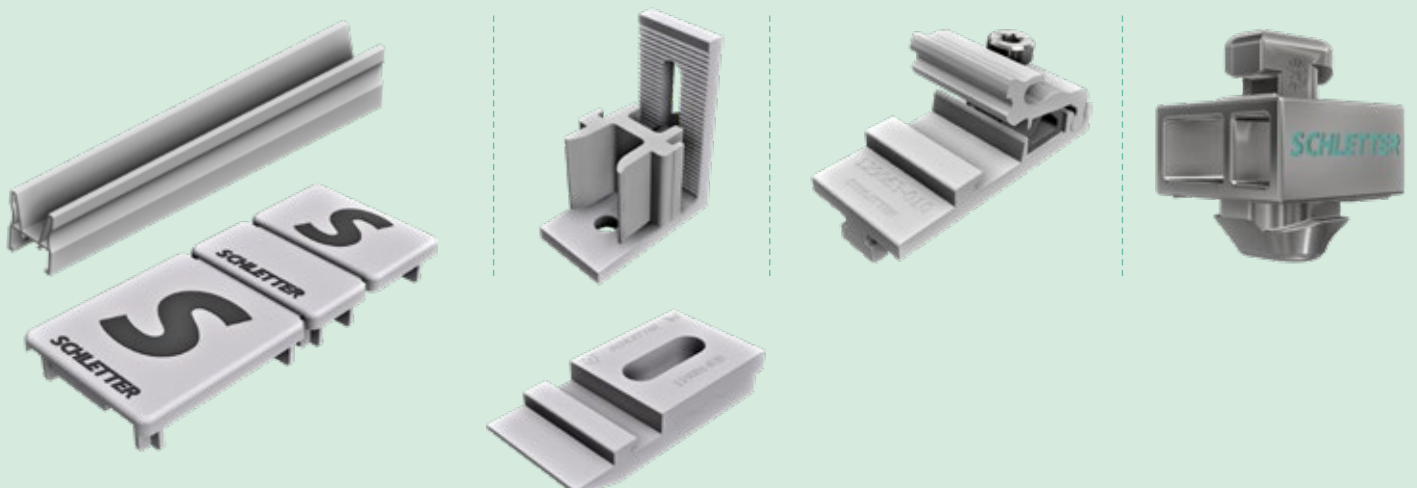
SEAM CLAMPS PROLINE

- + For mounting on standing seam roofs
- + Fast and direct fastening
- + For a wide range of sheet metal seam roofs

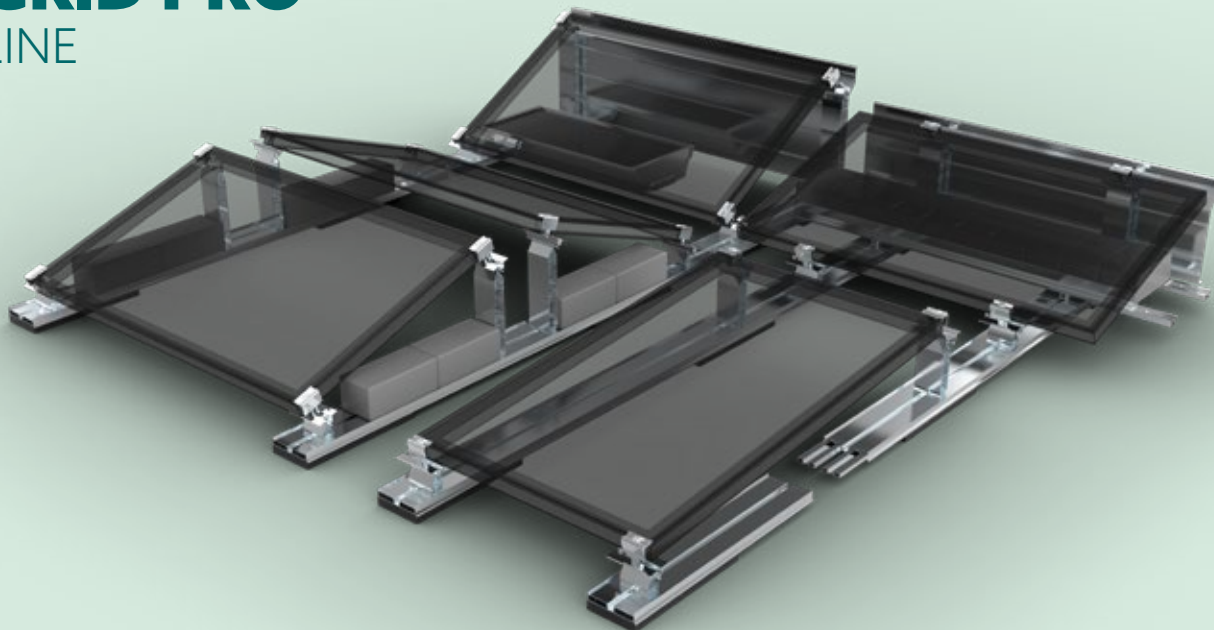


ACCESSORIES PROLINE

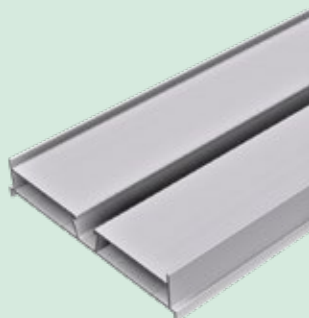
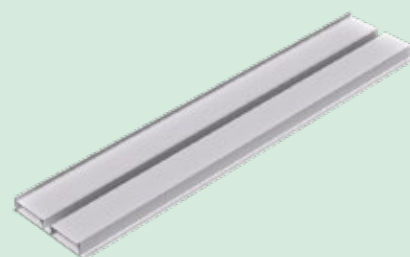
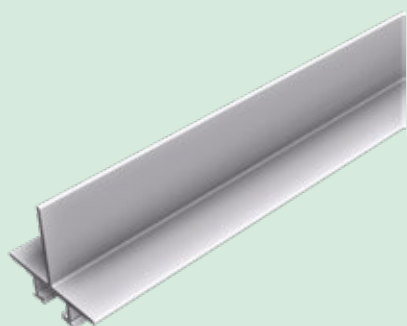
- + ProConnector - tool-free, self-locking slide-in connector
- + RapidPro L Adapter with Torx T40 can be installed with either ProLine rails or classic Schletter rails
- + RapidCon90 cross-connector can be installed on top with either ProLine rails or classic Schletter rails to all rails of the ProLine series
- + RapidPro cross-connector with Torx T40 can be installed with ProLine rails to all classic Schletter rails
- + Pro plastic end cap - Plastic end cap for ProLine module support profiles
- + KlickTop Pro Hanger Bolt Adapter - Hanger bolt mounting adapter for Standard and ProLine module support profiles



FIXGRID PRO PROLINE



- + Ballast optimization and reduction through improved aerodynamics
- + Planning and assembly flexible and time-saving
- + Facilitated assembly and wiring of the modules
- + Compatible with ProLine series module clamps
- + Extensive assembly variants can be realized with just a few components
- + Module support Pro allows flexible adjustment to the desired angle of inclination
- + Toolless mounting of the Pro elevation profiles
- + Modules can be mounted crosswise and upright
- + Module clamping can be done on the short or long module frame side



WE SUPPORT SOLAR.

AT SCHLETTER, WE BELIEVE THAT ANY ENTERPRISE, BIG OR SMALL, CAN ONLY BENEFIT FROM PASSIONATE SUPPORT.

And if ever there were an industry worth supporting, it's solar. Which is why we care about the success of every solar company, including yours.

We're here to cheer you forward, and support your efforts with products engineered to secure the long-term success of your solar projects – which will contribute to changing lives and the planet for the better.

If you don't deserve our support, who does?



SCHLETTER SOLAR GMBH

ALUSTRASSE 1, 83527 KIRCHDORF, GERMANY
WWW.SCHLETTER-GROUP.COM

SCAN ME!

