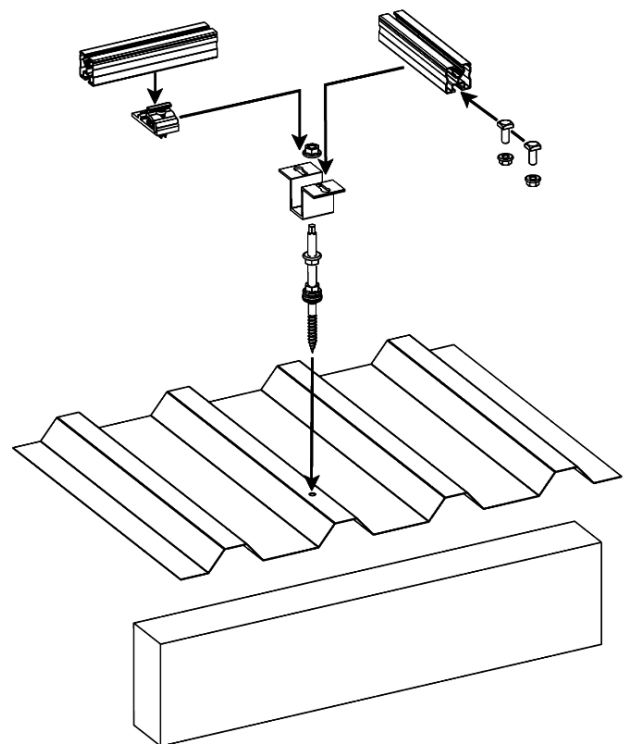


# UNIVERSAL ADAPTER ON WOOD

## MOUNTING INSTRUCTION



## Table of contents

MOUNTING INSTRUCTION FOR UNIVERSAL ADAPTER ON WOODEN SUBSTRUCTURE ....	3
TOOLS NEEDED .....	3
OTHER DOCUMENTS REQUIRED .....	3
TIGHTENING TORQUES .....	3
SICHERHEITSHINWEISE.....	4
Mounting.....	5
1. PRE-DRILL FIXING POINTS .....	5
2. SCREW IN THE HANGER BOLT .....	5
3. TIGHTEN THE SEAL.....	6
4. INSTALL THE UNIVERSAL ADAPTER .....	6
5. PROFILE ASSEMBLY .....	7
5.1 Assembly with screw connection.....	7
5.2 Assembly with cross connector.....	7

## MOUNTING INSTRUCTION FOR UNIVERSAL ADAPTER ON WOODEN SUBSTRUCTURE

### TOOLS NEEDED

- Tape measure
- Screwdriver with socket wrench holder

#### **For cross connector:**

- Bit T40

#### **For hanger bolts M10:**

- SW7 socket wrench
- SW15 open-end spanner
- Drill bit 7 mm, 15 mm

#### **For hanger bolts M12:**

- SW9 socket wrench
- SW18 open-end spanner
- Drill bit 8.5 mm, 16 mm

### OTHER DOCUMENTS REQUIRED

- General installation manual – installation and project planning
- Universal adapter product sheet

### TIGHTENING TORQUES

Screw connections M6: 8 Nm  
Screw connections M10: 30 Nm  
Screw connections M12: 50 Nm

## SICHERHEITSHINWEISE



Planning, installation and commissioning of the photovoltaic system must only be performed by qualified technical personnel. Improper execution can result in damage to the system and endanger persons.



Falling hazard! Working on the roof as well as ascending and descending poses a risk of falling. It is vital to observe accident prevention regulations and use appropriate fall protection equipment. PV mounting systems are not suitable as climbing aids or fall protection.



Injury hazard! Falling objects pose a risk of injury to people. Prior to installation, set up barriers in the hazard area to warn people who are in the vicinity!



Break hazard! PV modules may be damaged if stepped on.



Electrical current hazard! Installation and maintenance of the photovoltaic system must only be performed by qualified technical personnel. Observe the safety instructions issued by the PV module manufacturer!

## Mounting



### 1. PRE-DRILL FIXING POINTS

**At the top flange of the trapezoidal sheet or at the high point of the corrugated sheet:**

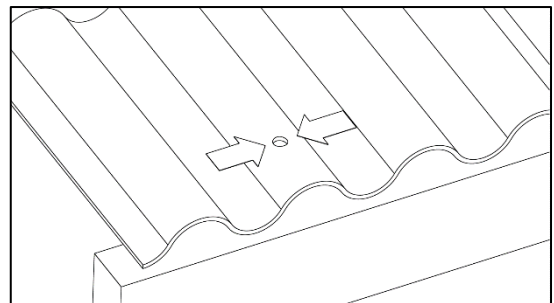
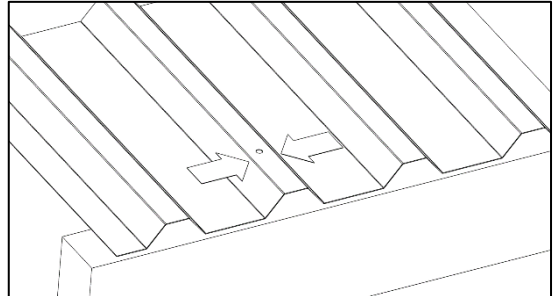
For hanger bolts M10: 15 mm

For hanger bolts M12: 16 mm

**Timber purlins or rafters:**

For hanger bolts M10: 7.0 mm

For hanger bolts M12: 8.5 mm

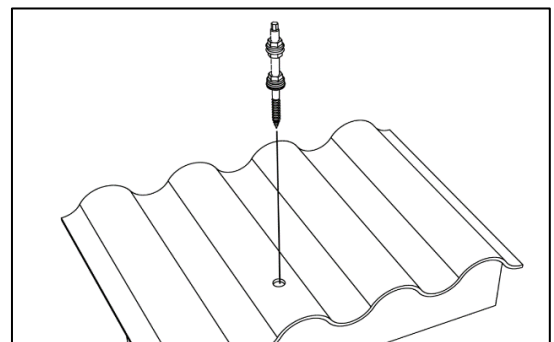
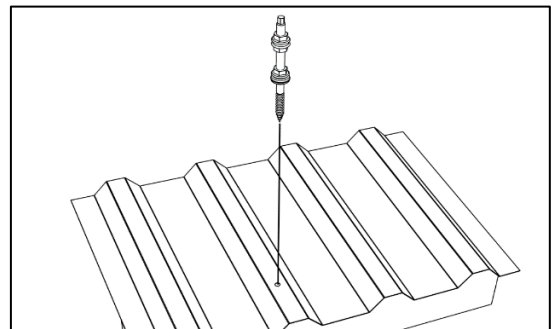


### 2. SCREW IN THE HANGER BOLT

**Minimum screw-in depth according to national technical approval (abZ) / European Technical Assessment (ETA) of the hanger bolt:**

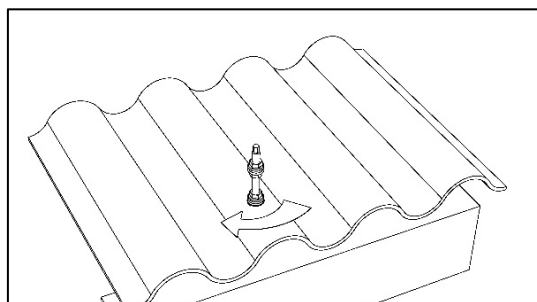
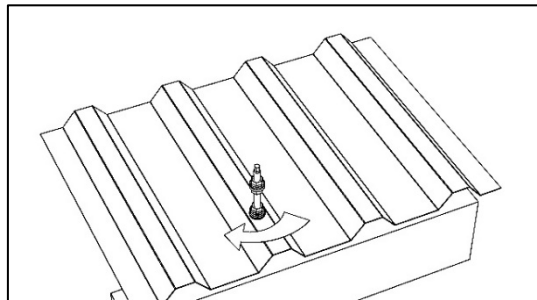
For hanger bolts M10: 40 mm

For hanger bolts M12: 48 mm



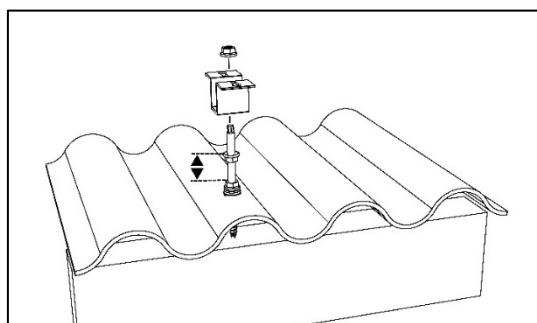
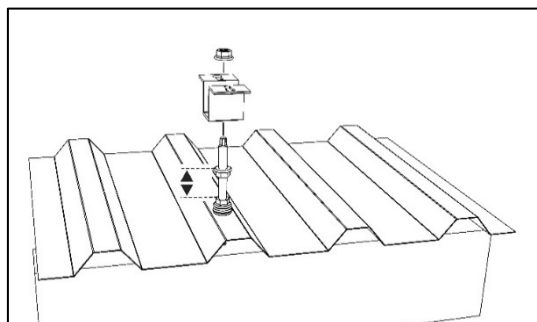
### 3. TIGHTEN THE SEAL

- Tighten the EPDM sealing rubber with the flange nut until it is lightly compressed.



### 4. INSTALL THE UNIVERSAL ADAPTER

- Remove the upper nut.
- Adjust the required height using the middle nut.
- Place down the universal adapter and screw it tight with the upper nut.





## 5. PROFILE ASSEMBLY

### 5.1 Assembly with screw connection

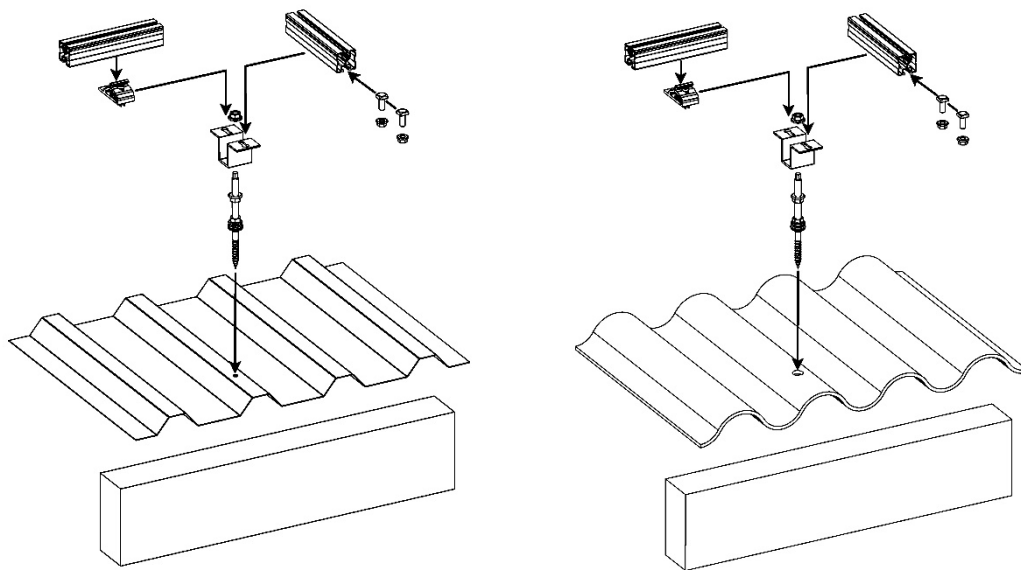
- Insert the M10 square head screw into the lower groove of the profile.
- Place the profile on the universal adapter and tighten it with M10 flange nuts.



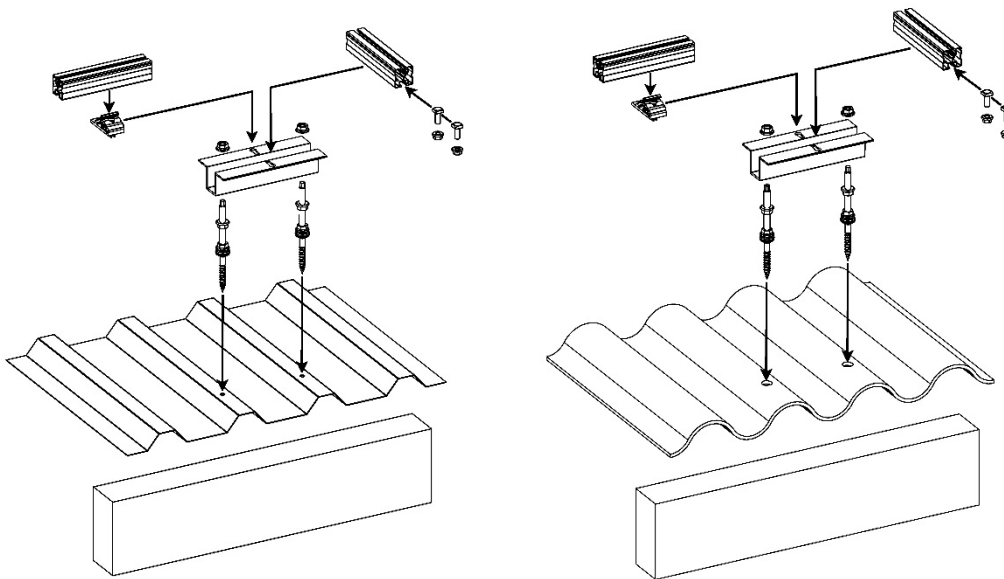
### 5.2 Assembly with cross connector

- Hold the cross connector crosswise and insert it with the T-anchor into the upper slotted hole of the universal adapter.
- Turn cross connector 90°.
- Press the Rapid anchor (pointed down) into the lower slotted hole.
- Put the profile on and tighten the cross connector.

**Uno:**



**Duo:**



More information on our systems can be found at our website:  
[www.schletter-group.com](http://www.schletter-group.com)





**SCHLETTER**  
*The Solar Mounting Group*

SCHLETTER SOLAR GMBH  
Alustrasse 1  
83527 Kirchdorf  
GERMANY

[www.schletter-group.com](http://www.schletter-group.com)

We reserve the right to changes, including  
technical modification.