

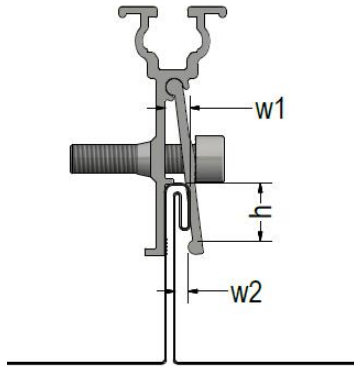


503 RAPID

- ▶ **RAIL-LESS Fastener for Standing Seam Metal Roofs**
- ▶ **Certified to LTR AE-001**
- ▶ **All components are aluminum or stainless steel**
- ▶ **Only 1 tool necessary for 503 Rapid and module clamp**
- ▶ **Only 1 point of grounding per row/array**



Landscape orientation only

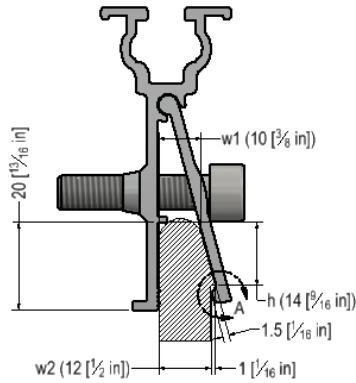


Typ. seam dimensions:

h=11-13 mm
 w1=4-6 mm
 w2=3 mm

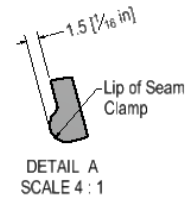
Standard Seam

The lip of the 503 Rapid clamp must extend underneath the fold of the standing seam clamp to create a positive, interlocking connection.



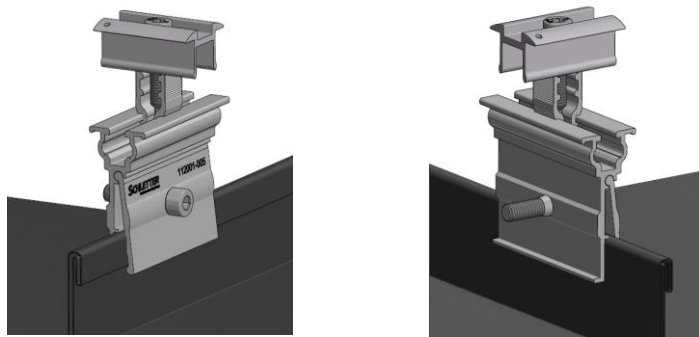
Max. seam dimensions:

h=14 mm
 w1=10 mm
 w2=12 mm



Maximum Seam

The tightening torque must be limited so that the sheet metal seam does not get distorted, and the thermal lengthening of the sheets is not prevented.



To calculate the number of attachments for a specific location, more product information or a free sample, visit www.schletter-group.com or send us an email to rooftopNA@schletter-group.com

