

RAPID ROOF HOOKS

Installation manual

Creation/revision date

2020.03 / V.001

Product

SCHLETTER RAPID ROOF HOOK

Manufacturer and address**Schletter Solar GmbH**

Alustraße 1

83527 Kirchdorf

Germany

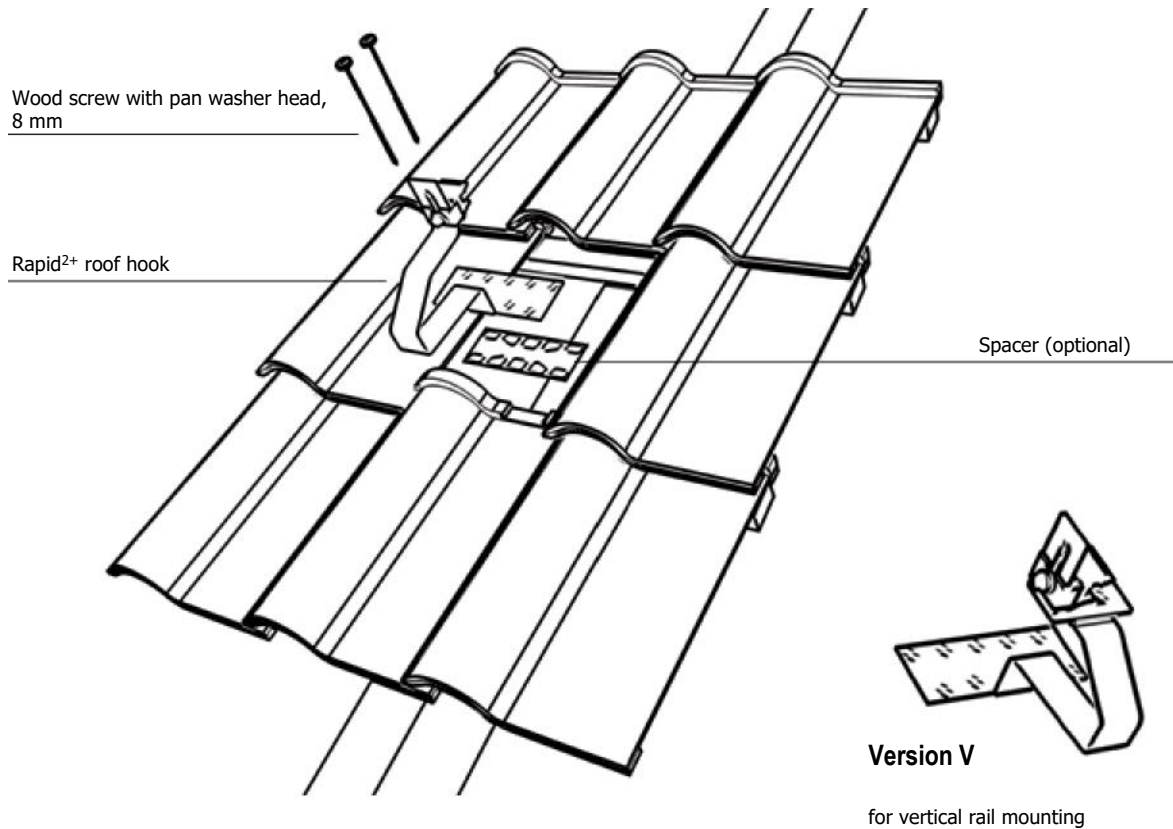
Tel.: +49 (0)8072 / 9191 0

Fax: +49 (0)8072 / 9191 9100

www.schletter-group.comanfragen@schletter-group.com

Rapid²⁺ Roof Hook

Installation manual



Tools needed

Screwdriver with bit insert
T40 bit
Angle grinder with diamond disk

Other documents needed

Installing roof hooks – General information

Tightening torques

M8 screw connections: 15 Nm

Exception:

Wood screws: with depth stop



The Schletter tool set includes equipment for all standard systems.

Safety instructions



Planning, installation and commissioning of solar power systems must be done only by qualified technical personnel. Improper installation can damage the system and building and endanger people.



Falling hazard! There is a risk of falling when working on the roof and when climbing up and down. The accident prevention regulations must be observed and suitable fall protection equipment must be used. PV mounting systems are not suitable as climbing aids or fall protection.



Injury hazard! People may be injured by falling objects. Before starting the installation block off any danger zones and warn people nearby.

1 Choose the position

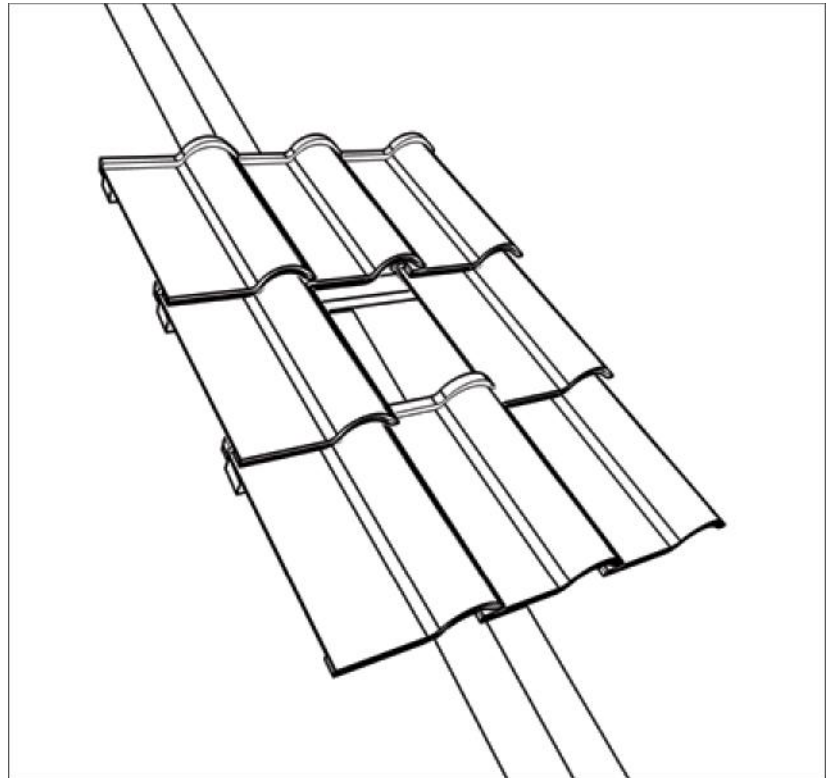
- Select an installation position along the existing rafters.
- Remove the roof tile (cover tile).



A minimum distance of 5 mm must be observed between the roof hook bracket and the roof tile beneath (see dimensions drawing below). When ordering the roof hook, make sure that the height of the lower bracket section is right for the height of the lath and the tile thickness and that the minimum distance can be observed.



In the following step; pay particular attention the current roofing trade regulations, modifying the roof tiles usually voids the warranty and any warranty for the roof cladding. Improper modification of the roof tiles can make the roof leak and cause considerable damage.

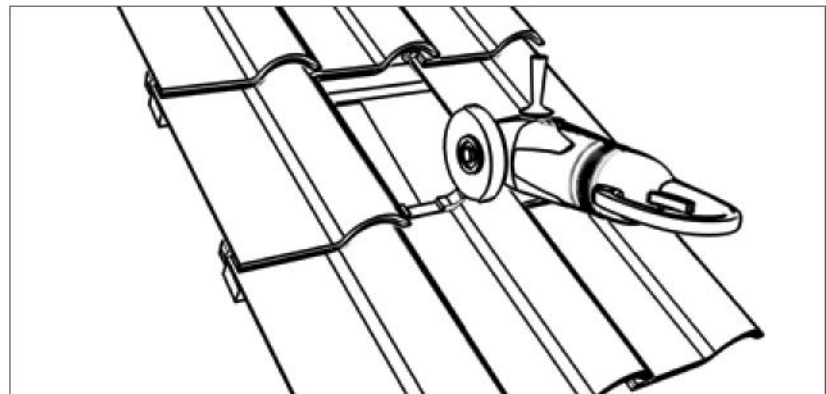


2 Smooth off the roof tile

- If the underlying roof tile has a raised edge at the top, this can be removed to maintain the minimum distance using an angle grinder with a diamond disk.



Remove only the raised edge and never go deeper. Remove only as much of the raised edge as necessary to allow for the minimum distance.



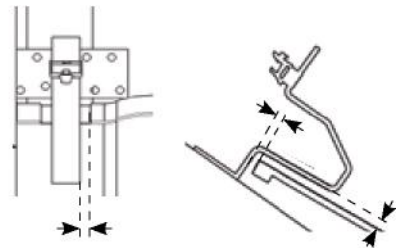
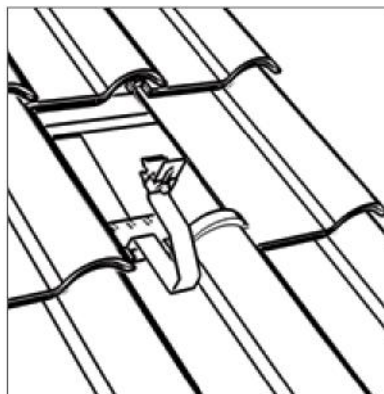
3 Place the roof hook

- Check that the space around the roof hook bracket is 5 mm.




For less sloped roofs and unusual tile shapes, we recommend adhering our "roof tile sealing tape" before inserting the roof hook.

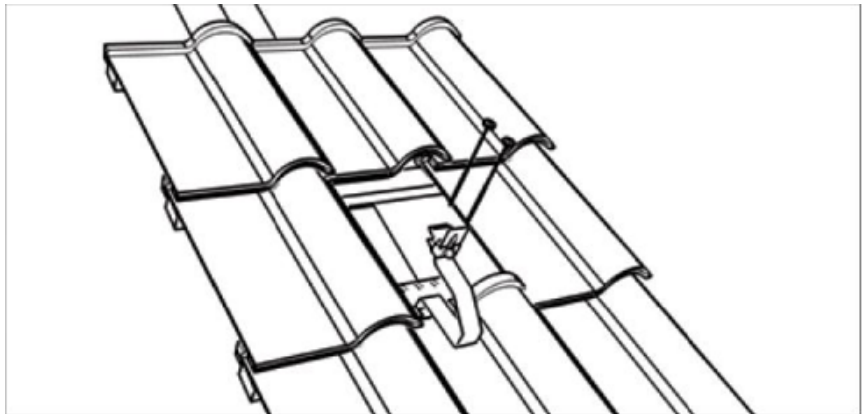
If necessary, use a spacer.



4 Insert screws


- Tightly screw on the roof hook using two 8 mm wood screws.

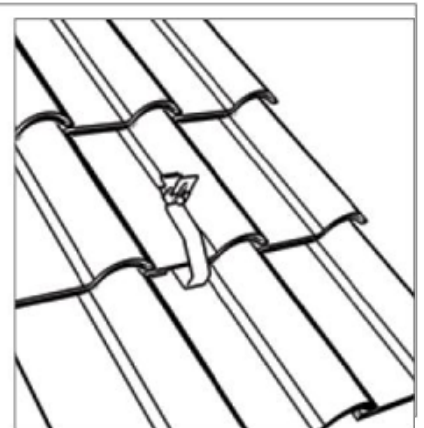
 Choose the screw length so that at least 80 mm of thread is screwed into the rafter.



5 Smooth off the cover tile

- Turn over the cover tile.
- Remove the raised edge of the roof hook using an angle grinder with a diamond disk.

 Remove the edge far enough that in the next step there is at least a 5 mm space around the roof hook. Remove only the edge. Do **not** grind deeper.



6 Replace the cover tile

7 Install the profile

- Hook in the profile.
- Set the KlickTop attachment to the desired height to compensate for any unevenness of the roof.
- Tighten the preinstalled screw on the roof hook.

