



MOUNTING INSTRUCTION AluTile

TOOLS NEEDED

- Drill
- Drill bit 8 mm, 5.6 mm
- Screwdriver with bit insert
- Bit T40

TIGHTENING TORQUES

- Screw connections M8: 15 Nm
- Exception: wood screws: depth stop

SAFETY INSTRUCTIONS



Planning, installation and commissioning of the solar power system must only be performed by qualified technical personnel. Improper execution can result in damage to the system and endanger persons.



Falling hazard! Working on the roof as well as ascending and descending poses a risk of falling. It is vital to observe accident prevention regulations and use appropriate fall protection equipment. PV mounting systems are not suitable as climbing aids or fall protection.



Injury hazard! Falling objects pose a risk of injury to people. Prior to installation, set up barriers in the hazard area to warn people nearby.

1. Uncover roof tile & mount load support Flex

- Select mounting position along the rafter
- Cover the tile that is to be replaced with the AluTile replacement tile
- Push bricks lying above or next to, the AluTile up or aside respectively

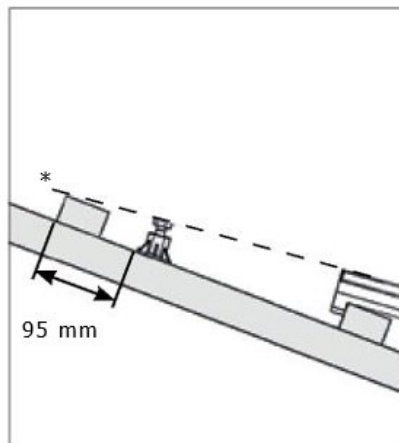
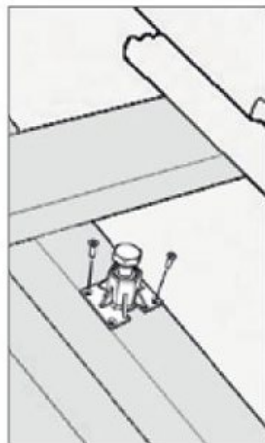
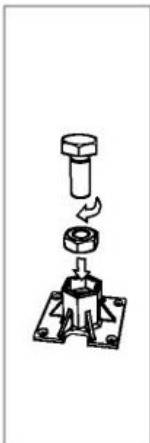
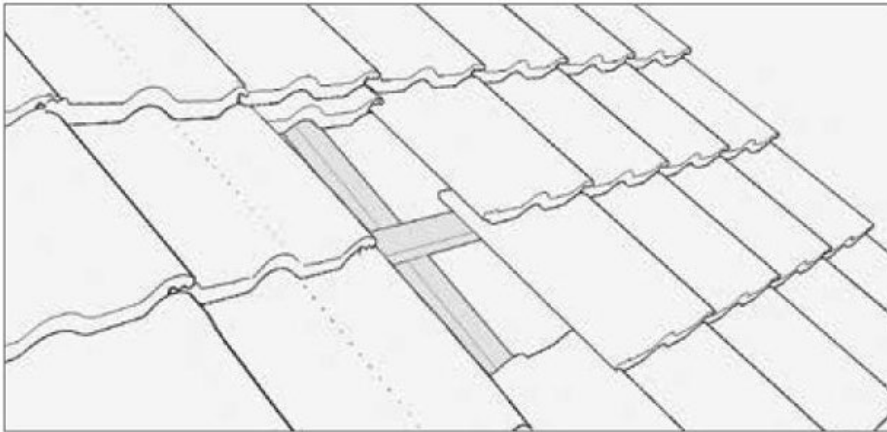


Remove more bricks if necessary

- Preassemble load support Flex
- Place the load support between the roof batten and the roof tile on the rafter and fix it in place
- Adjust to suitable height

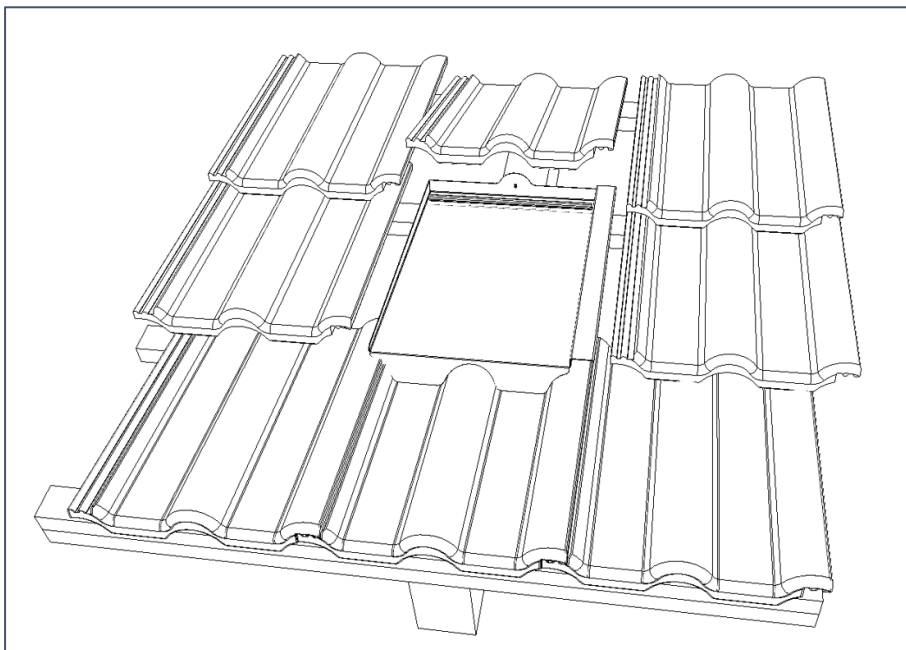
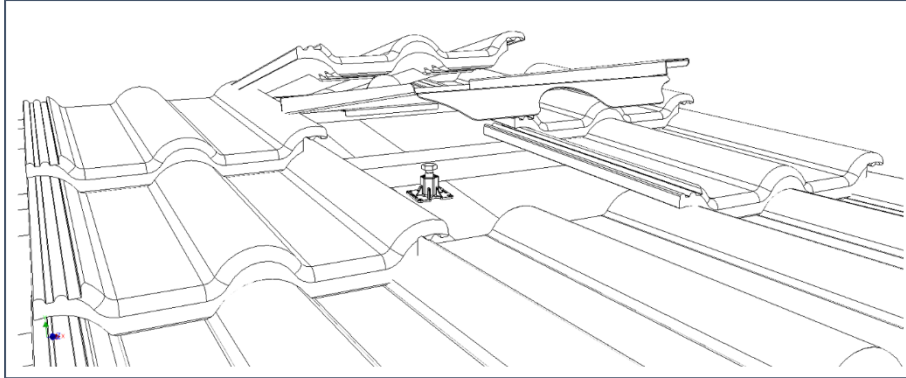


The supplied M10x30 screw is suitable for roof batten thicknesses of 25 - 40 mm. Longer set screws must be provided by the customer if required.



2. Covering sheet metal replacement tile

- Slightly lift the upper shingle
- Hook sheet metal replacement tile to battens
- Apply waterproofing plate to underlying brick



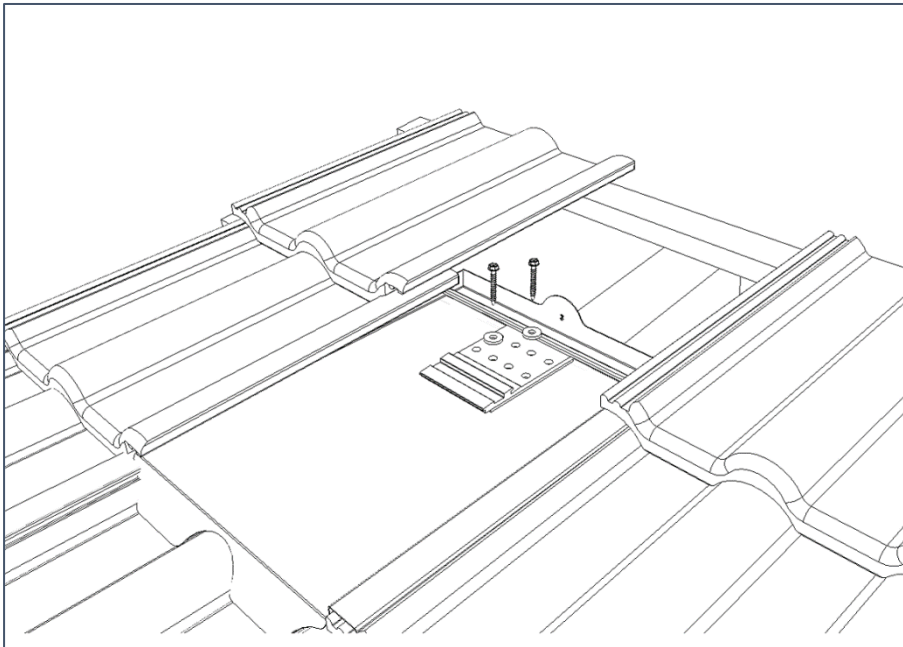
3. Position mounting plate and install AluTile system hooks

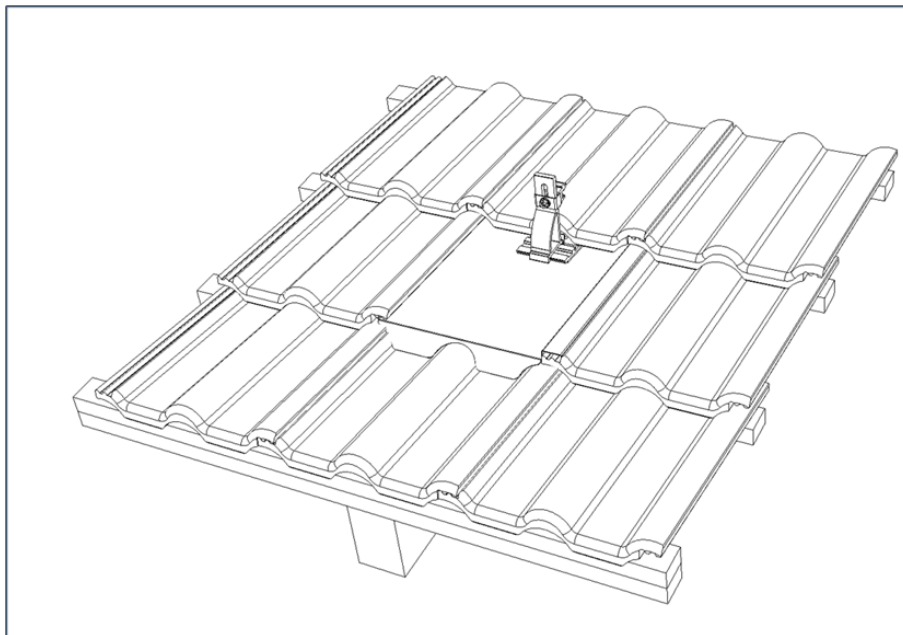
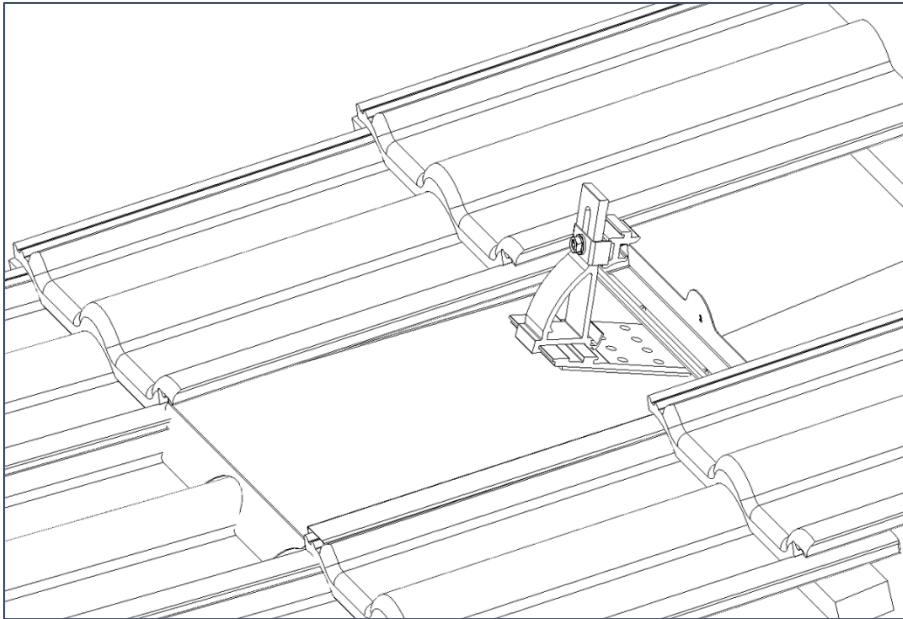
- Position mounting plate in the guide integrated in the sheet metal set tile above the rafter
- Drill through the existing holes of the mounting plate into the sheet metal replacement tile – 2 holes diagonally
- Fasten mounting plate using two 8mm flat plate head screws and sealing washers



Special care must be taken to ensure that the screws are screwed in at right angles to the mounting plate. The screw must press the seal onto the mounting plate all the way around.

- Insert system hook with adapter laterally into mounting plate
- Push surrounding bricks back into place





More information on our systems can be found at our website: www.schlettergroup.com in the Downloads area.



SCHLETTER
The Solar Mounting Group

SCHLETTER SOLAR GMBH
Alustraße 1
83527 Kirchdorf
GERMANY

www.schletter-group.com

We reserve the right to changes, including
technical modifications.