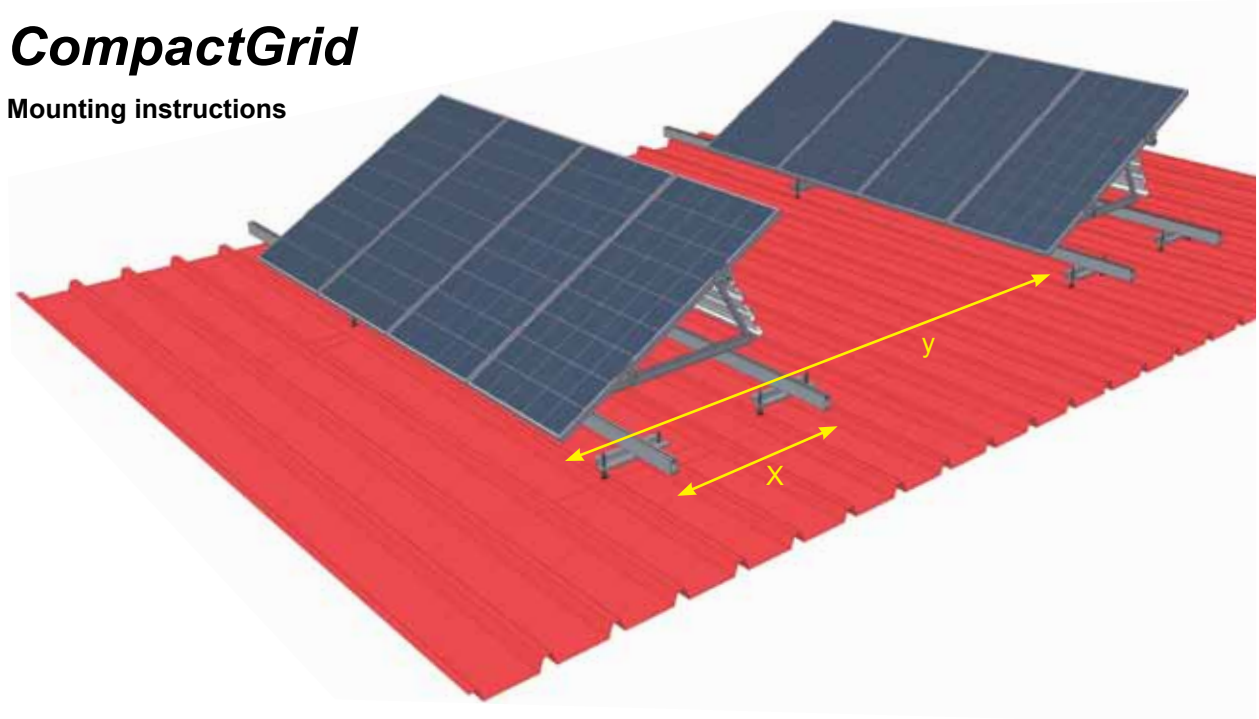


CompactGrid

Mounting instructions



1. Mount fasteners (in our example FixT; additional fasteners can be referenced on the last page)

The mounting distance x is not influenced by the profile length (hole distances in the lower support structure are available for reference in the Support Program 07 product sheet. Dimension y can be taken, for example, from the shade calculator on our internet site or from the calculation documentation.

1 Pre-drill the fastening points

Standing rib
with hanger bolt M12 12mm
with hanger bolt M10 10mm

Timber purlins
8.5mm
7.0mm

2 Screw in hanger bolts

Regular screwing depth
with hanger bolt M12 100mm
with hanger bolt M10 60mm

3 Hand-tighten rubber seals with integrated flange nuts

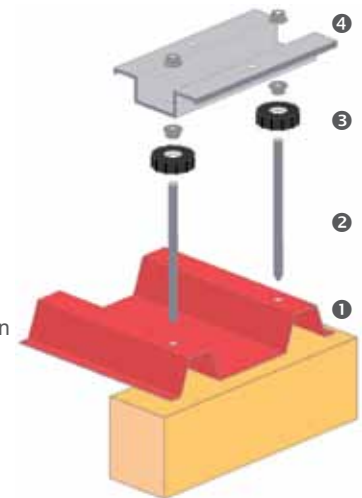
In addition to the usual Fix-T sealing top applied to rib crest widths from approx 20 mm, an EPDM rubber seal is also available for rib crest widths of up to 20 mm.



FixT sealing cap
from approx. 20 mm

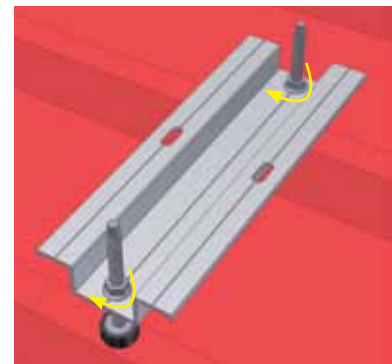
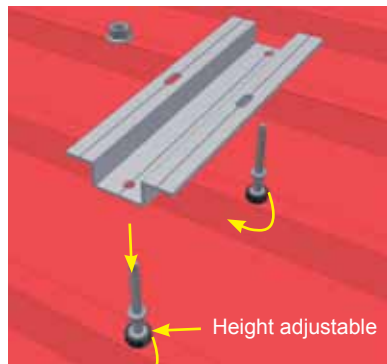
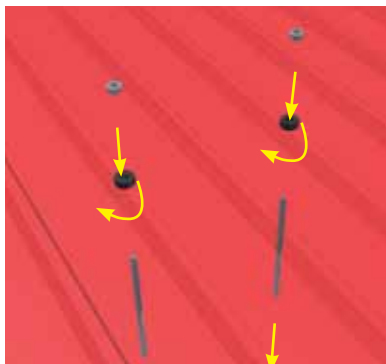


EPDM-sealing rubber
20 mm or smaller



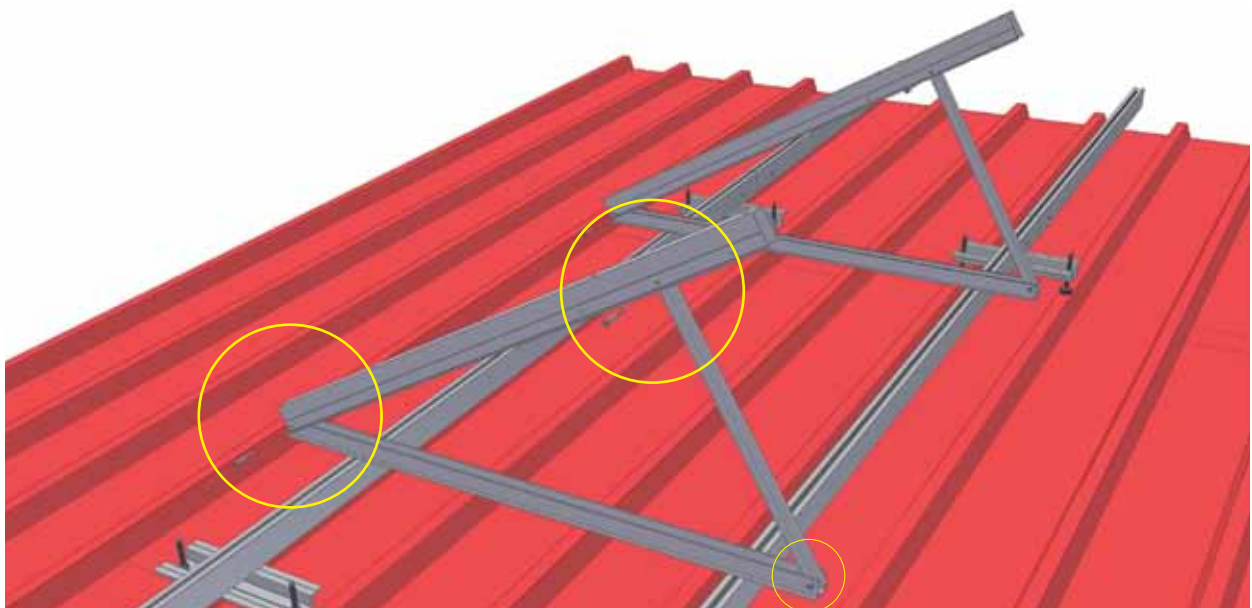
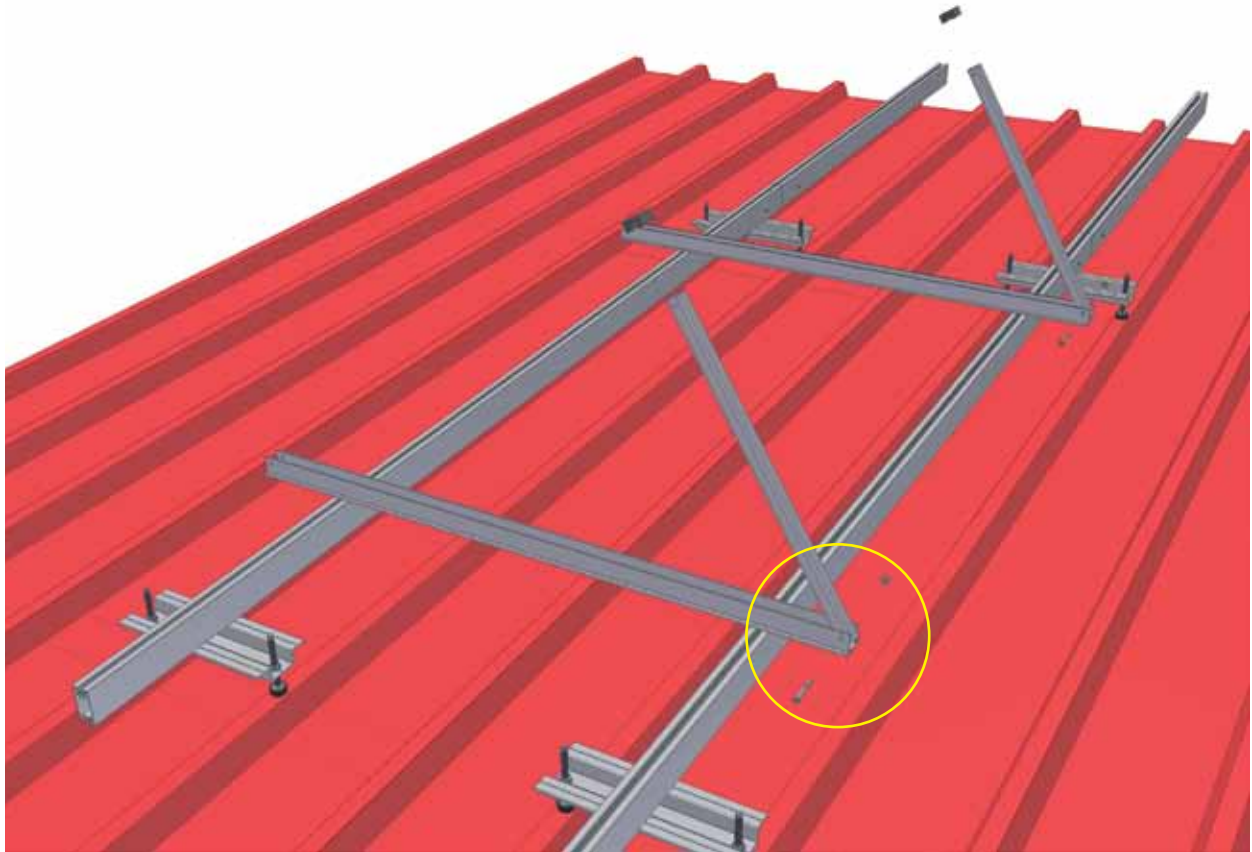
4 Mount cap profile and secure with flange nut

The cap profile height can be adjusted using 2 further flange nuts (image, centre).



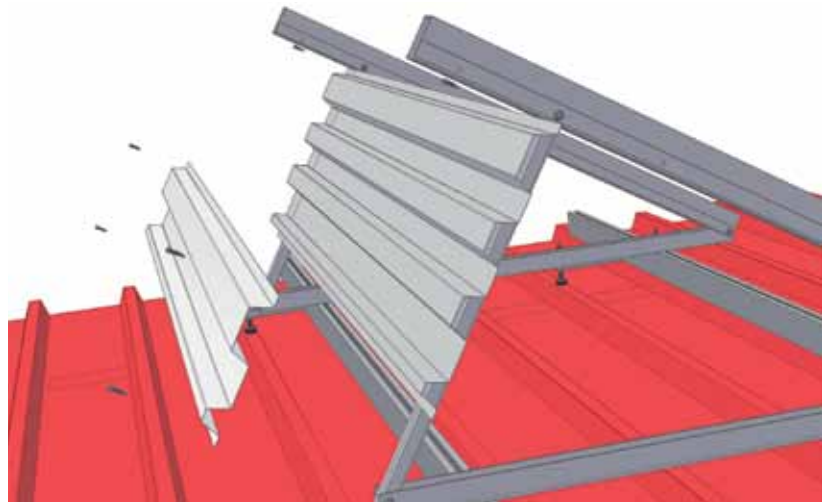
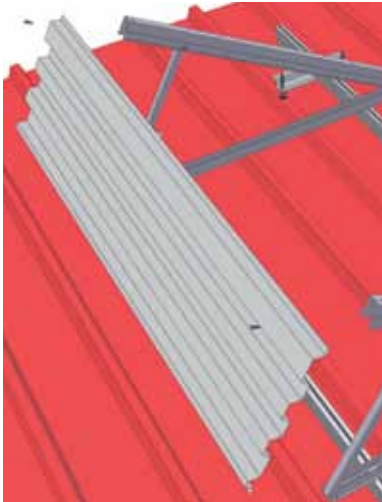
4. Mount upper support structure

- Mount supports with Inbus screws M8 and self-locking nuts M8 (generally pre-assembled).



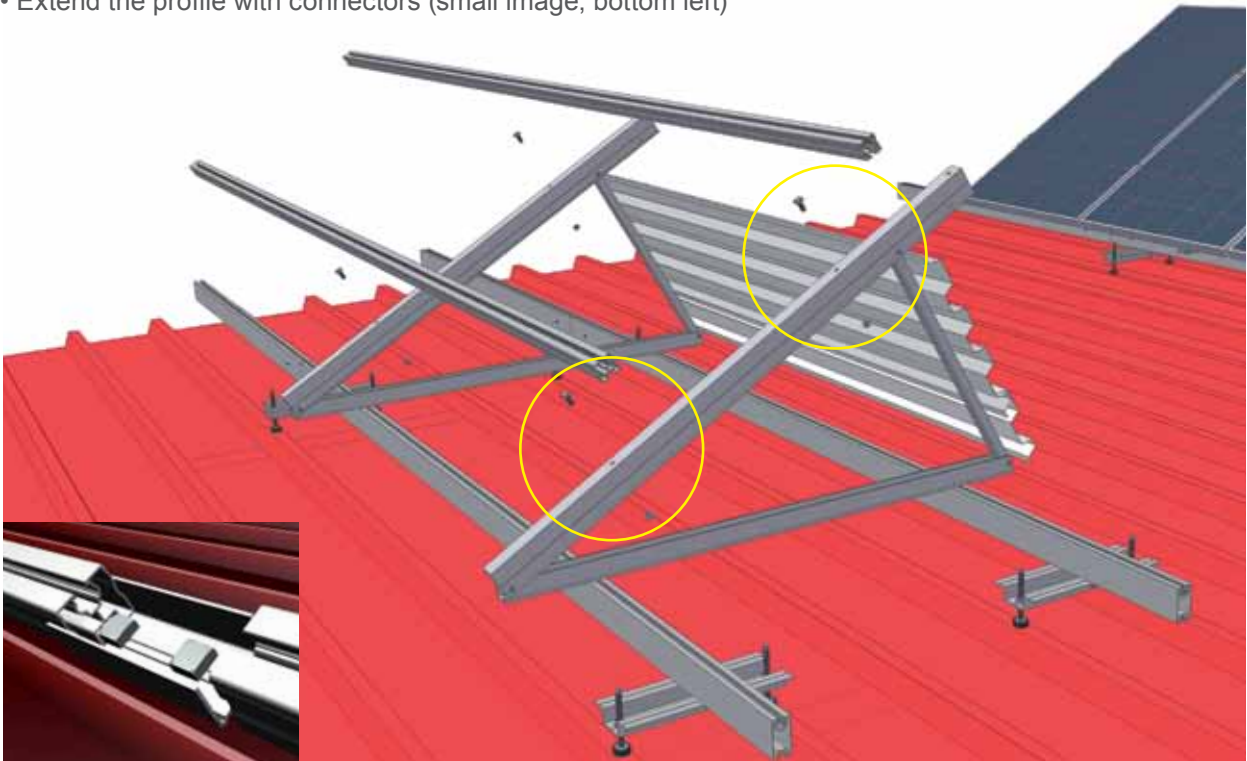
5. Mount Windsafe (optional)

- Each Windsafe sheet is secured with two self-tapping screws (6x25) per support.
- It may be necessary to overlap the Windsafe sheets vertically.
- Windsafe sheets must be fastened to at least two supports.
- **Please use diagonal bracing with plants not incorporating Windsafe!**



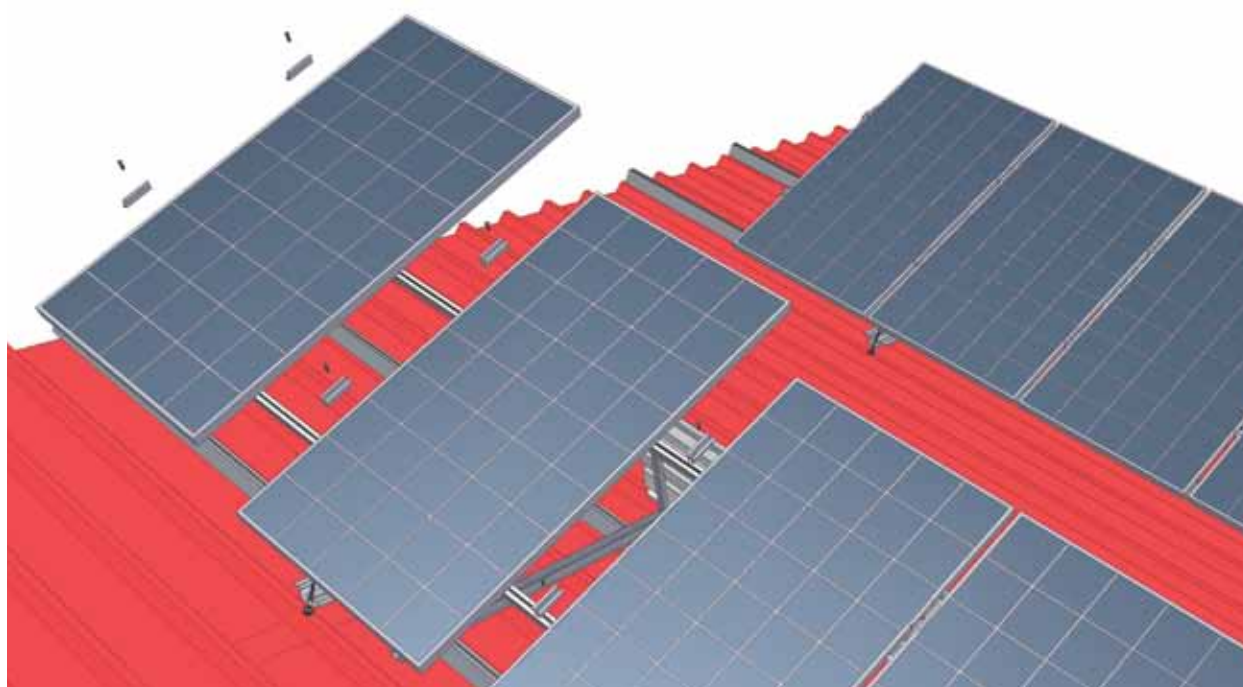
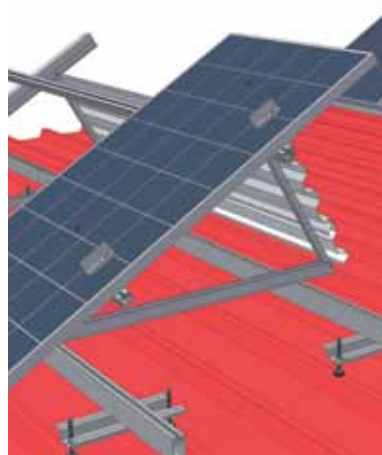
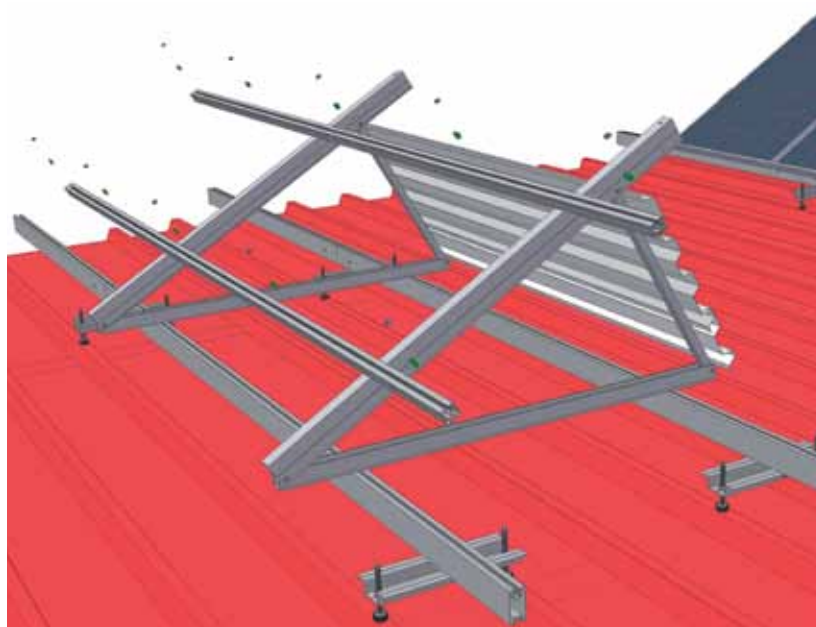
6. Mount module-bearing profile

- Set square head screws M10x25 in the designated groove of the load-bearing profile and secure at the drill holes on the support with flange nuts M10.
- With the FlexConsole system, secure the load-bearing profile to the supports with KlickTop cross connector Sets M8
- With horizontally arranged and mounted modules, it is anticipated that new drill holes be added to the upper support structure from the customer side. Not required with FlexConsole.
- Extend the profile with connectors (small image, bottom left)

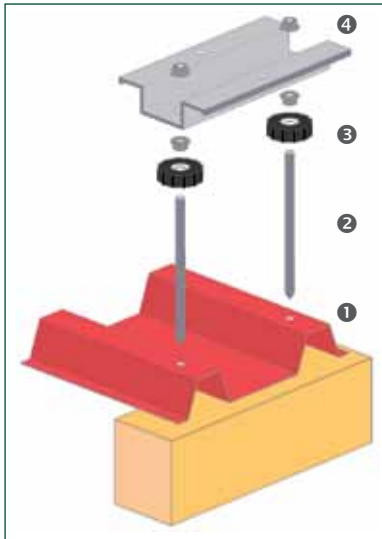


7. Module mounting

- Slot Klickin click components M8 into the module beams and feed in the M8 square nuts.*
- Use shims with modules mounted in a linear arrangement.
- Please reference the notes relating to laminate modules when mounting unframed panels.
- Position the modules and tighten with end- and middle clamps, then tighten with inbus screws.
- That's it!



8. Fastening solutions



FixT on timber purlins

1 Pre-drill fastening point
Standing rib

with hanger bolt M12 x 12mm
with hanger bolt M10 x 10mm

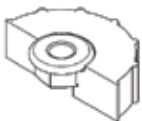
Timber purlins
8.5mm
7.0mm

2 Screw in hanger bolts

Regular screwing depth
with hanger bolt M12 100mm
with hanger bolt M10 60mm

3 Hand-tighten rubber seals with integrated flange nut

In addition to the usual Fix-T sealing top applied to rib crests of widths from approx 20 mm, an EPDM rubber seal is also available for rib crest widths of up to 20 mm.

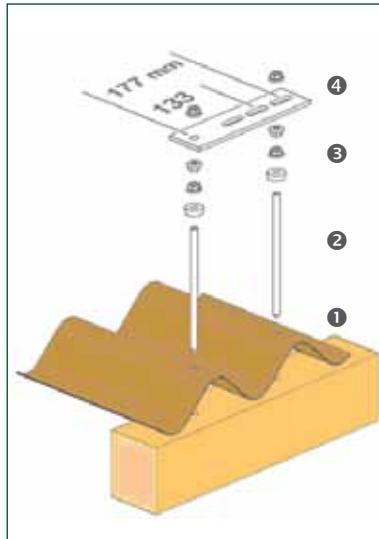


FixT sealing cap
from approx. 20 mm



EPDM-sealing rubber
20 mm or smaller

4 Mount cap profile and secure with upper flange nut



Dual corrugated roof set on timber purlins

1 Pre-drill fastening point

Corrugation top

with hanger bolt M12 x 14mm
with hanger bolt M10 x 13mm

Timber purlins
8.5mm
7.0mm

2 Screw in hanger bolts

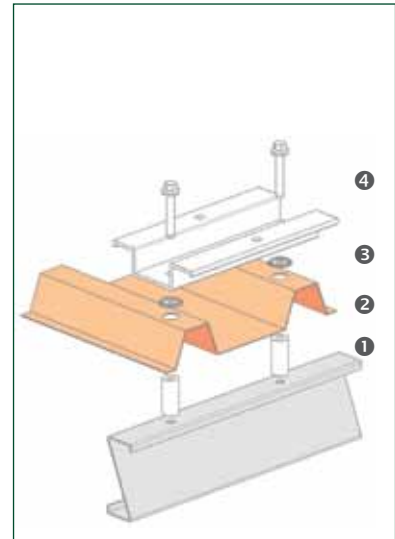
Regular screwing depth
with hanger bolt M12 x 14mm / 100mm
with hanger bolt M10 60mm

3 Tighten rubber seals with flange nuts. The sealing rubber must be slightly compressed



EPDM-sealing rubber

4 Position mounting plate according to distance between rib crests and secure with flange nuts



FixT on steel purlins

1 Pre-drill fastening point

Standing rib

Size of the distance tube up to 4mm 6.8mm
(20 or 16mm, depending up to 11mm 7.0mm
on rib crest width) from 11mm 7.2mm

Steel purlins

2 Apply distance tube

3 Position rubber seals on the trapezoidal sheet according to size of the distance tube - view from above:

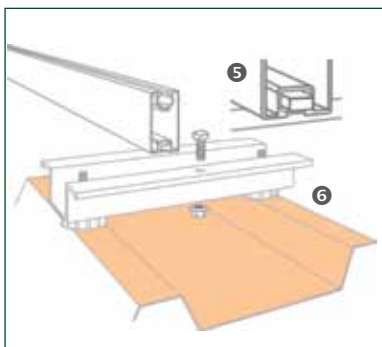


20 mm

16 mm

4 Mount and secure cap profile with M8 screws

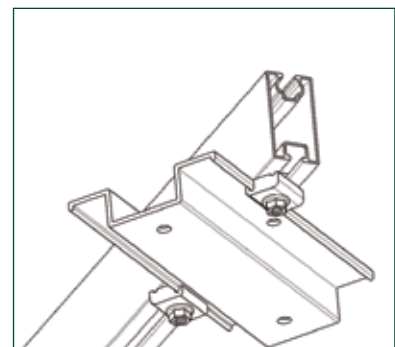
Fasten the screws using a moderate torque. The sealing rubber must be slightly compressed.



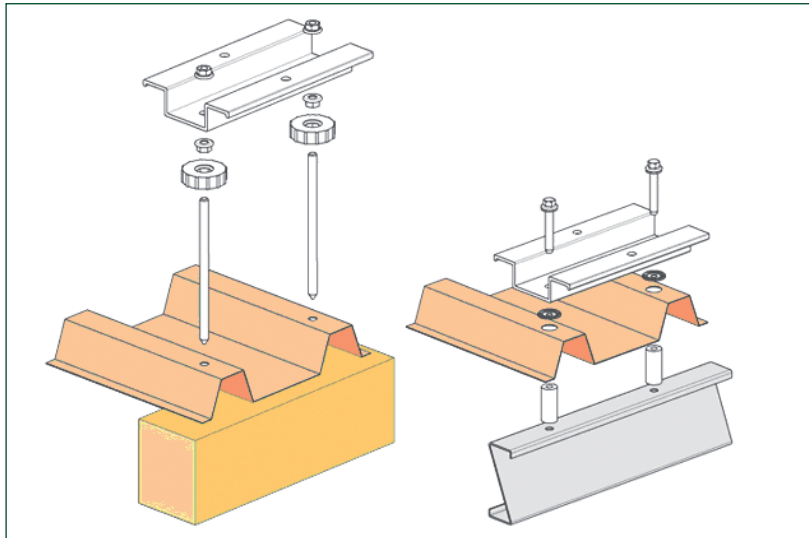
5 Feed the square head screws into the designated groove of the cross beam profile and arrange according to the pre-bored holes in the cap profile.

6 Adjust rails, extending with connectors if required and secure with M10 flange nuts.

As well as screwing directly into the holes of the cap profile, cross beam profiles can also be clamped at the sides with module clamps to allow for variable adjustment. This enables an optimal arrangement for maximal yield.

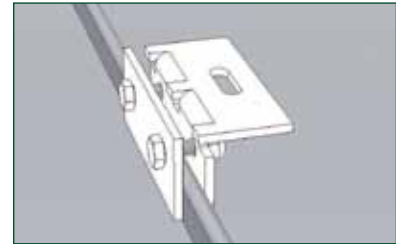


Our extensive range of fastening elements allows for the design of customized solutions.

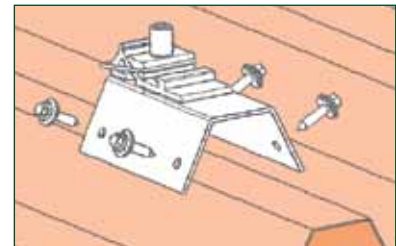


FixT Size 3 Trapez with timber purlins

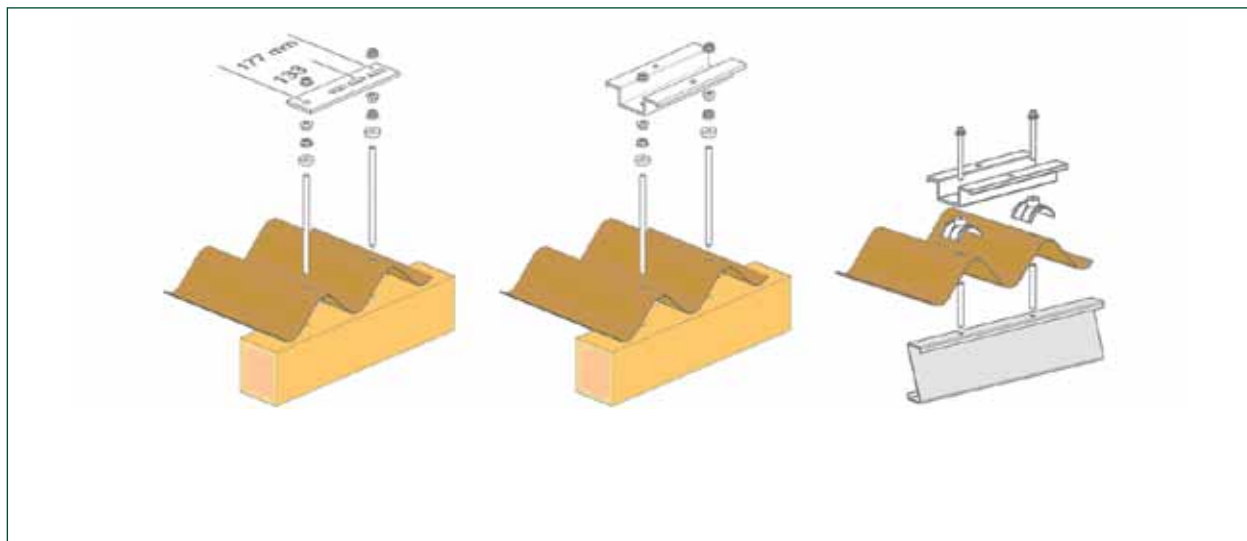
FixT Size 3 Trapez with steel purlins



Standing seam clamps



Fix2000 KlickTop



Dual corrugated roof set

FixT Size 3 Eternit with timber purlins

FixT Size 3 Eternit with steel purlins

... and many more
fastening solutions