

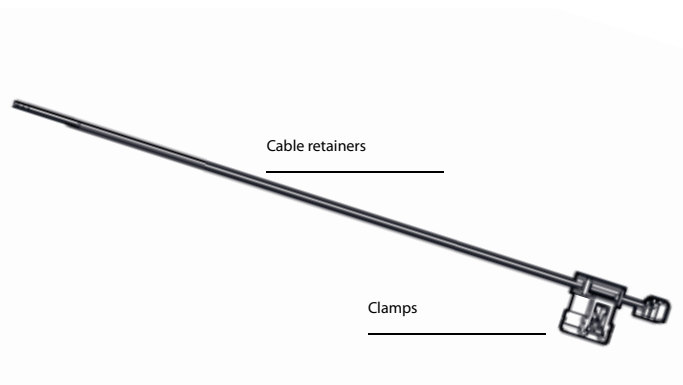
## Cable retainer NT760/99

### Mounting Instruction

Item No.: 149023-001

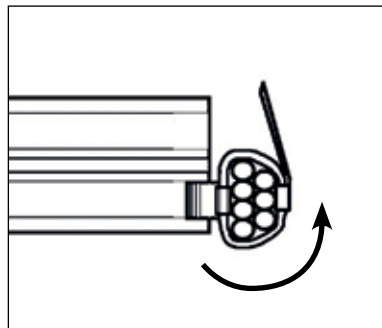
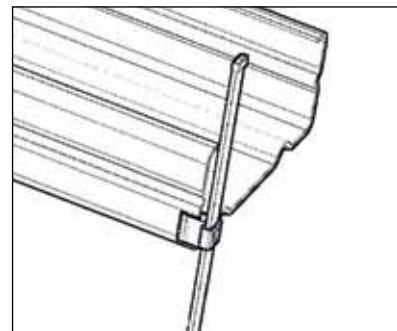
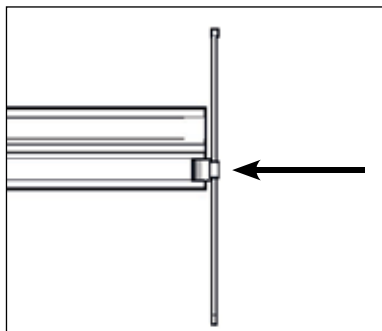
Fasten clamps along the rail edge and run cables through the retainers

Compatible with rails of edge thickness 1-3 mm



#### Mount cable clip

- Press clamp with cable retainer onto the rail edge
- Run cable/s through the retainer and close



Compatible with rails:

with edge thickness 1-3 mm

Compatible with systems:

All