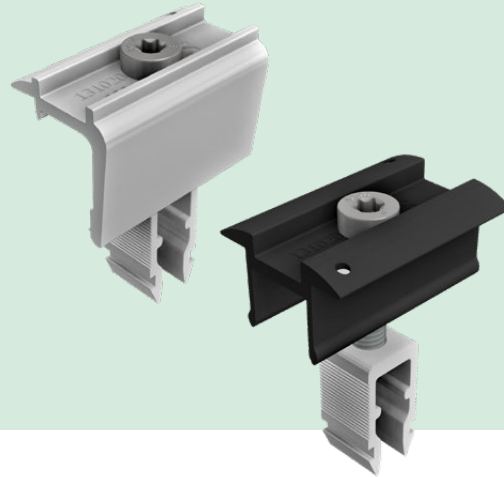


MODULE CLAMPS RAPIDPRO

PRODUCT SHEET

One module clamp fits all frame heights

Proven quick and easy installation

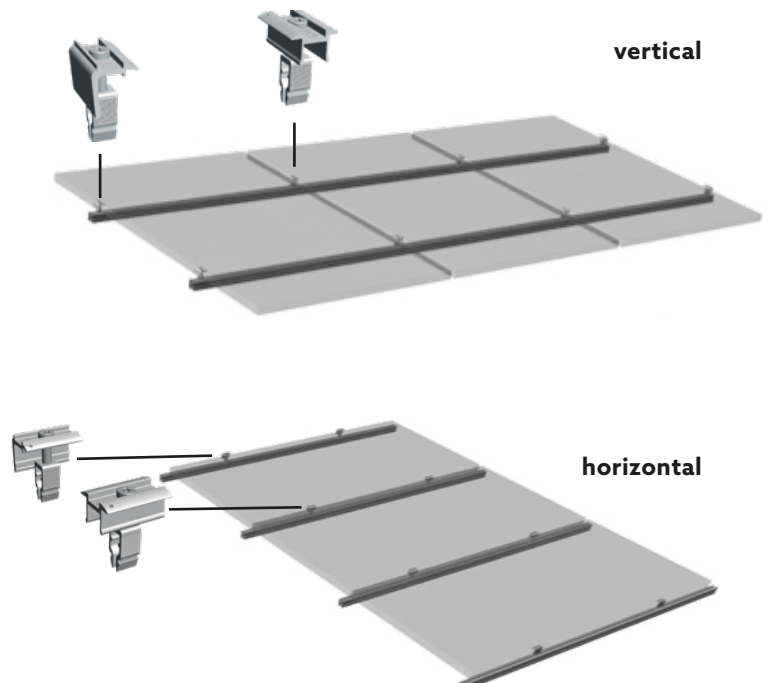


ONE SIZE FITS ALL

The clamp RapidPro is designed for all Schletter module-bearing profiles of the Proline series. With its large clamping range of 30 – 47 mm, the module clamp can fix solar modules with all common frame heights. A grounding pin is integrated in every clamp.

The claws of the clamp can be rotated and are therefore suitable for both – the vertical and the horizontal (linear) module clamping.

All clamps are also available in black anodized versions to match them best to black module frames.



MODULE CLAMPS RAPIDPRO

TECHNICAL SPECIFICATIONS

Scope of application	Clamp mounting for framed modules
Material	<ul style="list-style-type: none"> • Systems components: Aluminum • Screws: Stainless steel
Planning aid	Configuration and structural analysis via Schletter Configurator
Structural analysis	Structural analysis based on the recognized rules of technology. The verification of structural safety for the mounting system is based on Eurocodes and general construction approvals. The load assumptions comply with DIN EN 1991-1 and the regulations of the national annex. The verification of the roof covering and the building is not included. Notes in the verification must be observed.
Warranty	25 years, according to our warranty terms
Supplementary documents	<ul style="list-style-type: none"> • Assembly instructions Module Clamps RapidPro • Component overview - Module clamps for framed modules

ARTICLE OVERVIEW

Blank aluminum			Black anodized		
131020-001	Centre clamp RapidPro	PU: 100	131020-901	Centre clamp RapidPro	PU: 100
131020-000	End clamp RapidPro	PU: 50	131020-900	End clamp RapidPro	PU: 50

