

# FixGrid18+

**For high snow and  
wind loads**

INFO SHEET



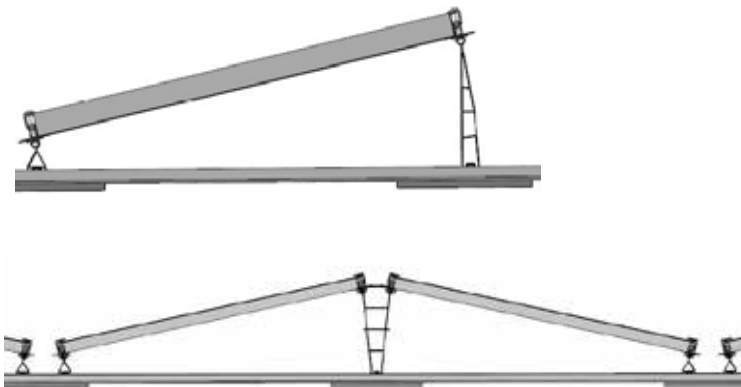
## FIXGRID18+

The FixGrid18+ system was developed for use in areas with high wind and snow loads. By clamping on the long side of the module frame, these increased loads can be better absorbed in combination with the module. As this system additionally provides even more support points on the roof, it is also possible to minimise the surface pressure considerably. The punched mounting tape can be used to cross-connect the module rows.

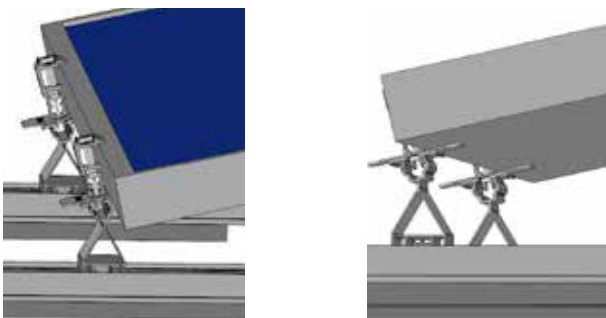
1. The base supports are laid at the quarter point on the long side of the module (structural protection mats under each support).



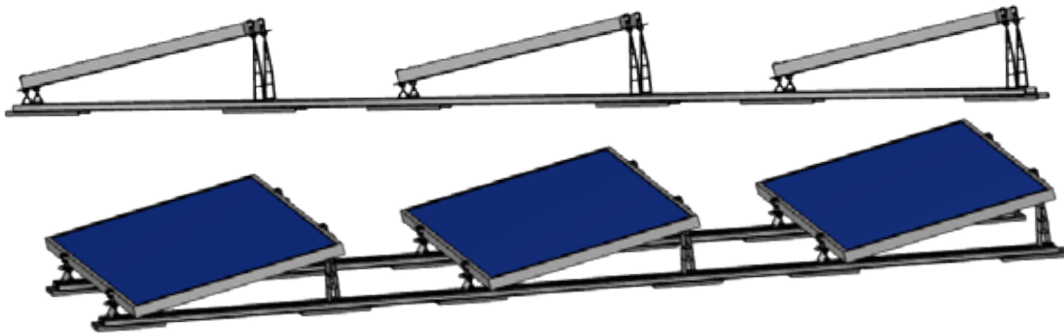
2. The FixZ supports are mounted on the edges: (similar to LaQ07).



3. The Eco shims are attached to the upper KlickNut of the FixZ rails to provide a larger support for the modules in the clamping area. The modules are fixed using the Rapid16 H end clamps.



## FIXGRID18+ 13°



### Parts list 3 modules without Windsafe, ballast troughs and accessories

Pos	Item number	Item	Quantity	Length mm	Unit of quantity
2	128039-215	Base profile for FlatGrid 6300 mm	2		Piece
3	169004-003	Structural protection mat 300 x 110 x 20 mm SK cut	12		Piece
4	163900-002	FixZ-15 lower system profile 18 96 mm with connector	6		Piece
5	131101-001	FixZ-15 upper system profile 18 96 mm with connector	6		Piece
6	131101-003	End clamp Rapid16 H 30 - 40 12			Piece
7	139004-000	Bearing plate for Eco module clamp	12		Piece

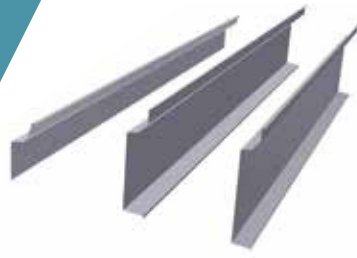
### Optional items (according to static specification)



#### FixZ profile pieces incl. FixGrid screw-in connector

163900-011	FixZ-7 upper system profile 96 mm with connector	PU:25
163900-012	FixZ-7 lower system profile 96 mm with connector	PU:25
163900-021	FixZ-10 upper system profile 96 mm with connector	PU:25
163900-022	FixZ-10 lower system profile 96 mm with connector	PU:25
163900-023	FixZ-10 central system profile 96 mm with connector	PU:25
163900-001	FixZ-15 upper system profile 96 mm with connector	PU:25
163900-002	FixZ-15 lower system profile 96 mm with connector	PU:25
163900-003	FixZ-15 central system profile 96 mm with connector	PU:25

For high snow loads up to 5.4 kN / m<sup>2</sup>

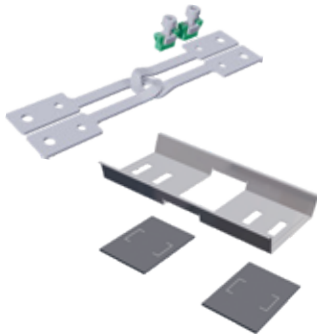


## FixZ-15 Windsafe

<b>169018-170</b>	FixZ-7 Windsafe up to 1700 mm
<b>169018-210</b>	FixZ-7 Windsafe up to 2067 mm
<b>169017-170</b>	FixZ-10 Windsafe up to 1700 mm
<b>169017-210</b>	FixZ-10 Windsafe up to 2067 mm
<b>169019-170</b>	FixZ-15 Windsafe up to 1700 mm
<b>169019-210</b>	FixZ-15 Windsafe up to 2067 mm

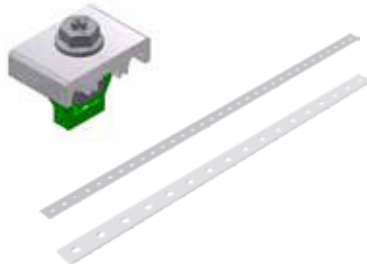


<b>943000-360</b>	Thin sheet metal screw 6.0 x 25 A2 with gasket	PU:100
-------------------	------------------------------------------------	--------



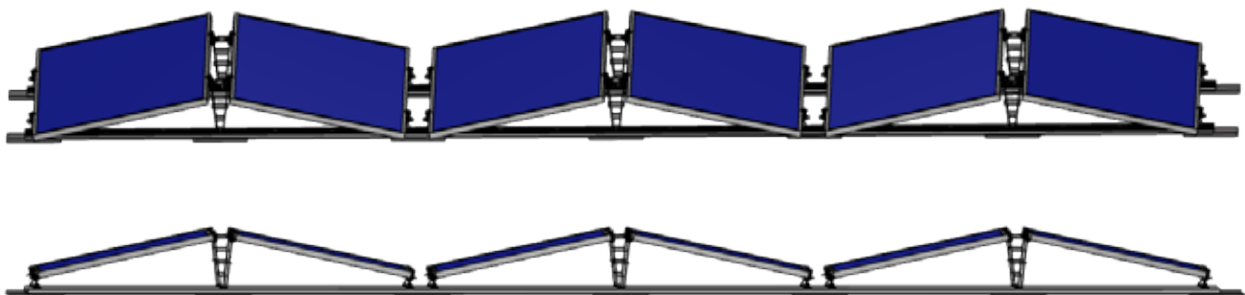
## Other accessories

<b>129062-001</b>	Tension connector set M8	PU:100
<b>169004-007</b>	Structural protection mat 230 x 200 x 6	
<b>169017-000</b>	Additional trough	



<b>135003-005</b>	Lightning protection clamp	PU:25
<b>119015-002</b>	Punched mounting tape 6 - 50 m	
<b>119015-003</b>	Punched mounting tape 16 - 50 m	

## FIXGRID18+100 13°



## Parts list 3 module pairs without ballast troughs and accessories

Pos	Item number	Item	Quantity	Length mm	Unit of quantity
2	128039-215	Base profile for FlatGrid 6300 mm	2		Piece
3	169004-003	Structural protection mat 300 x 110 x 20 mm SK cut	14		Piece
4	163900-002	FixZ-15 low. system prof. 18 96 mm with connector	12		Piece
5	131101-001	FixZ-15 cent. system prof. 18 96 mm with connector	6		Piece
6	131101-003	End clamp Rapid16 H 30 - 40	24		Piece
7	139004-000	Bearing plate for Eco module clamp	24		Piece

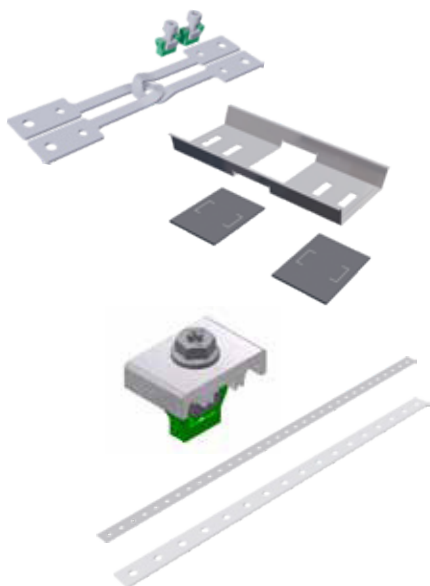
## Optional items (according to static specification)



### FixZ profile pieces incl. FixGrid screw-in connector

<b>163900-011</b>	FixZ-7 upper system profile 96 mm with connector	PU:25
<b>163900-012</b>	FixZ-7 lower system profile 96 mm with connector	PU:25
<b>163900-021</b>	FixZ-10 upper system profile 96 mm with connector	PU:25
<b>163900-022</b>	FixZ-10 lower system profile 96 mm with connector	PU:25
<b>163900-023</b>	FixZ-10 central system profile 96 mm with connector	PU:25
<b>163900-001</b>	FixZ-15 upper system profile 96 mm with connector	PU:25
<b>163900-002</b>	FixZ-15 lower system profile 96 mm with connector	PU:25
<b>163900-003</b>	FixZ-15 central system profile 96 mm with connector	PU:25

For high snow loads up to 5.4 kN / m<sup>2</sup>



### Other accessories

<b>129062-001</b>	Tension connector set M8	PU:100
<b>169004-007</b>	Structural protection mat 230 x 200 x 6	
<b>169017-000</b>	Additional trough	

<b>135003-005</b>	Lightning protection clamp	PU:25
<b>119015-002</b>	Punched mounting tape 6 - 50 m	
<b>119015-003</b>	Punched mounting tape 16 - 50 m	



**SCHLETTER SOLAR GMBH**

Alustrasse 1  
83527 Kirchdorf  
GERMANY

[www.schletter-group.com](http://www.schletter-group.com)